



DTA

Damen Technical Agencies



Mobile Hydraulic Pumps T67GB

Denison Vane Technology, fixed displacement

Hydraulic Pumps

- Hydraulic Motors
- Hydraulic Valves
- Hydraulic Cylinders
- Hydraulic Filtration
- Hydraulic Accumulators



ENGINEERING YOUR SUCCESS.

We are doing our parts to keep you moving!

DTA your 1 Stop Shop for Hydraulics, Pneumatics and Power Transmissions.

DECLARATION OF CONFORMITY

DTA Hydraulics is a tradename of Damen Technical Agencies BV, supplying hydraulic parts to various industries since 1990. As a Certified Distributor Hydraulics by Parker Hannifin and Authorized Denison Vane Pump Assembler, we guarantee the use of original parts and components. As such we provide you with vane pumps of the same level of quality and warranty conditions as the factory does.

We highly recommend to **use genuine Denison Hydraulics spare parts only** in order to ensure smooth operation and longer service life. Spare parts that we have on stock include pump cartridge kits, shaft and bearing assemblies, seal kits and non-wearing parts of both the T6 and T7 series vane pumps.



**ALL VANE PUMPS SUPPLIED OR REPAIRED BY
DTA HYDRAULICS HAVE BEEN ASSEMBLED ACCORDING
TO THE LATEST FACTORY SPECIFICATIONS WITH
BRAND NEW AND GENUINE DENISON HYDRAULICS PARTS**

We are able to provide you a large variety of options of the original Parker Denison single, double, and triple vane pumps. We can build any customized vane pump from our stock of genuine parts. You can now easily configure that vane pump yourself with the Denison Hydraulics Vane Pump Configurator.

vanepump.eu/vanepumps

Use advanced search to filter results based on configurable options and select any of the 25,000 vane pumps that are listed in our online catalogue. Most of the models are available from stock and ready for shipment to any place in the world instantly. We can supply **Any part, Anytime, Anywhere!**



Model No. T67GB - B15 - 6 R 00 - A 1 - 00 -

Series

Cam ring

(Delivery at 0 bar & 1500 r.p.m.)

B02 = 8,7 l/min B07 = 33,7 l/min
 B03 = 14,7 l/min B08 = 37,4 l/min
 B04 = 19,2 l/min B10 = 47,7 l/min
 B05 = 23,9 l/min B12 = 61,5 l/min
 B06 = 29,7 l/min B15 = 75,0 l/min

Type of shaft

6 = splined (DIN 5462)

Direction of rotation (view on shaft end)

R = clockwise

L = counter-clockwise

Modification

Mounting W/connection variables

Code	UNC		Metric	
	00	01	M0	M1
S = 1.1/2"	SAE	SAE	SAE	SAE
P = 1"	BSPP	SAE	BSPP	SAE

Seal class

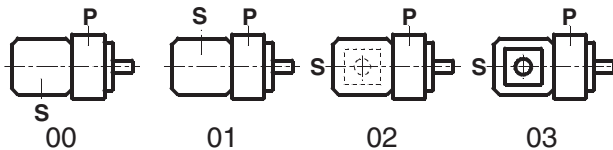
1 = S1 - BUNA N

Design letter

Porting combination

00 = standard

P = Pressure port
S = Suction port



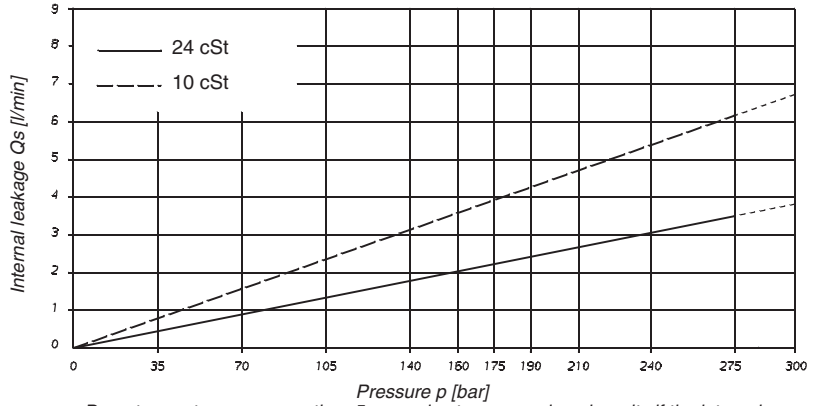
OPERATING CHARACTERISTICS - TYPICAL [24 cSt]

Series	Volumetric Displacement Vi	Speed n [R.P.M.]	Flow Q [l/min]			Input power P [kW]		
			p = 0 bar	p = 140 bar	p = 300 bar	p = 7 bar	p = 140 bar	p = 300 bar
B02	5,8 ml/rev	1000	5,8	4,1	-	0,2	1,6	-
		1500	8,7	7,0	5,1	0,5	2,6	5,1
B03	9,8 ml/rev	1000	9,8	8,1	6,2	0,2	2,5	5,3
		1500	14,7	13,0	11,1	0,6	4,0	8,1
B04	12,8 ml/rev	1000	12,8	11,1	9,2	0,3	3,2	6,8
		1500	19,2	17,5	15,6	0,6	5,0	10,4
B05	15,9 ml/rev	1000	15,9	14,2	12,3	0,3	4,0	8,4
		1500	23,9	22,2	20,2	0,7	6,1	12,7
B06	19,8 ml/rev	1000	19,8	18,1	16,2	0,3	4,9	10,3
		1500	29,7	28,0	26,1	0,7	7,5	15,6
B07	22,5 ml/rev	1000	22,5	20,8	19,0	0,4	5,5	11,8
		1500	33,7	32,0	30,2	0,8	8,5	17,6
B08	24,9 ml/rev	1000	24,9	23,2	21,3	0,4	6,1	12,9
		1500	37,4	35,7	33,7	0,8	9,3	19,5
B10	31,8 ml/rev	1000	31,8	30,1	28,2	0,5	7,7	16,3
		1500	47,7	46,0	44,1	0,9	11,7	24,6
B12	41,0 ml/rev	1000	41,0	39,3	37,4	0,6	9,8	20,9
		1500	61,5	59,8	57,9	1,1	14,9	31,5
B15	50,0 ml/rev	1000	50,0	48,3	46,6 ¹⁾	0,7	11,9	23,7 ¹⁾
		1500	75,0	73,3	71,6 ¹⁾	1,3	18,1	35,7 ¹⁾

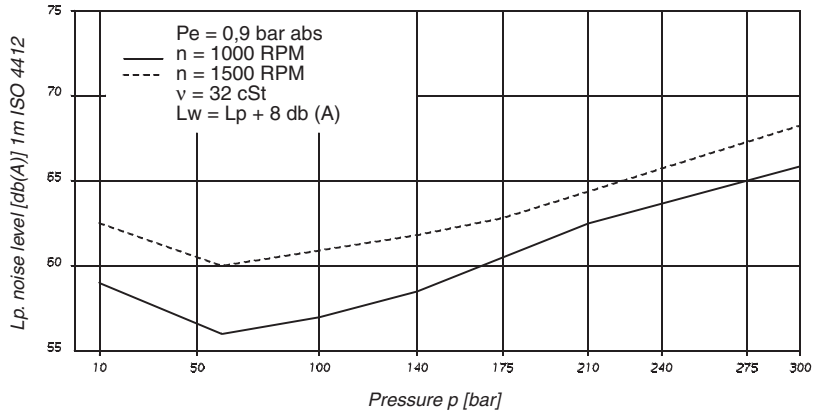
¹⁾ B15 = 280 bar max. int.

- Not to use if the internal leakage greater than 50% of the theoretical flow.

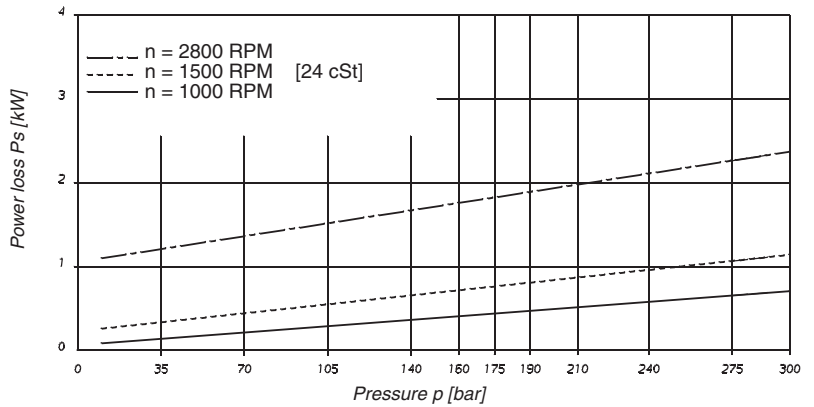
INTERNAL LEAKAGE (TYPICAL)



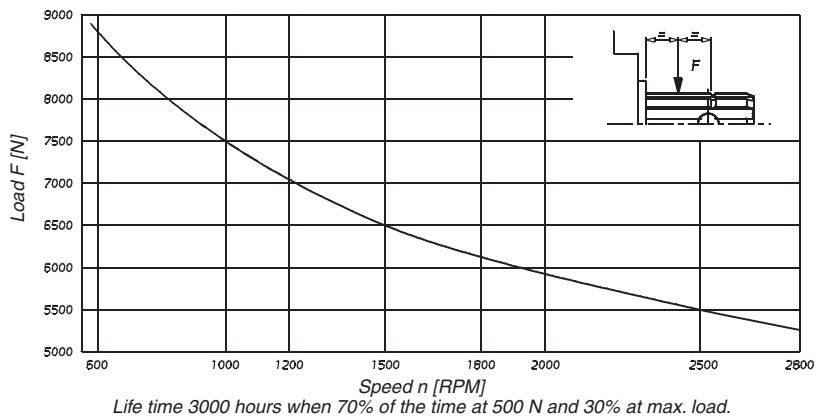
NOISE LEVEL (TYPICAL)
T67GB - B10



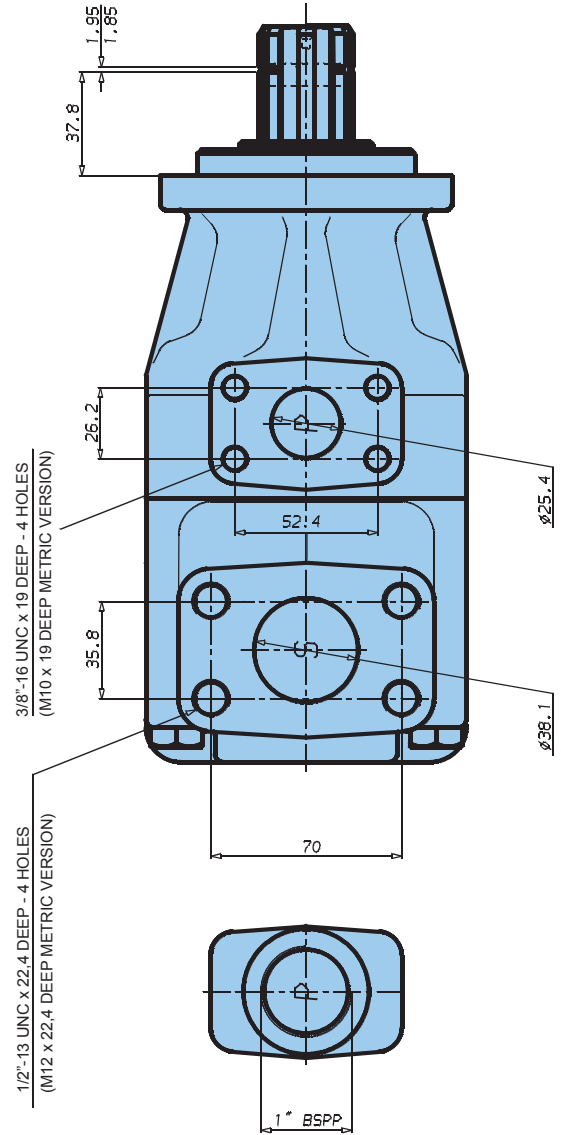
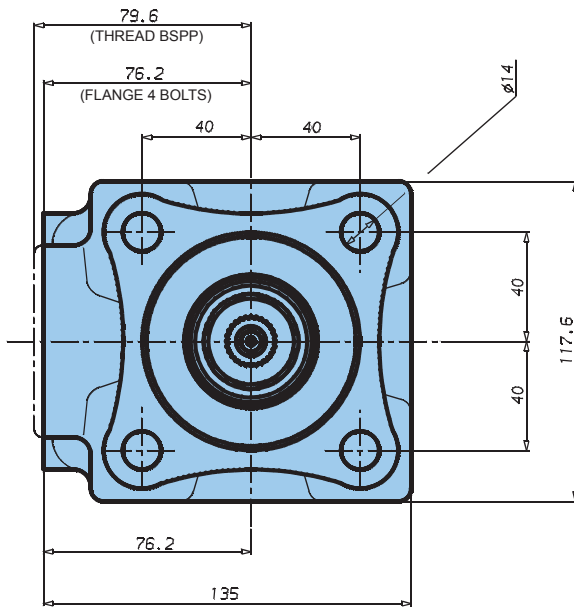
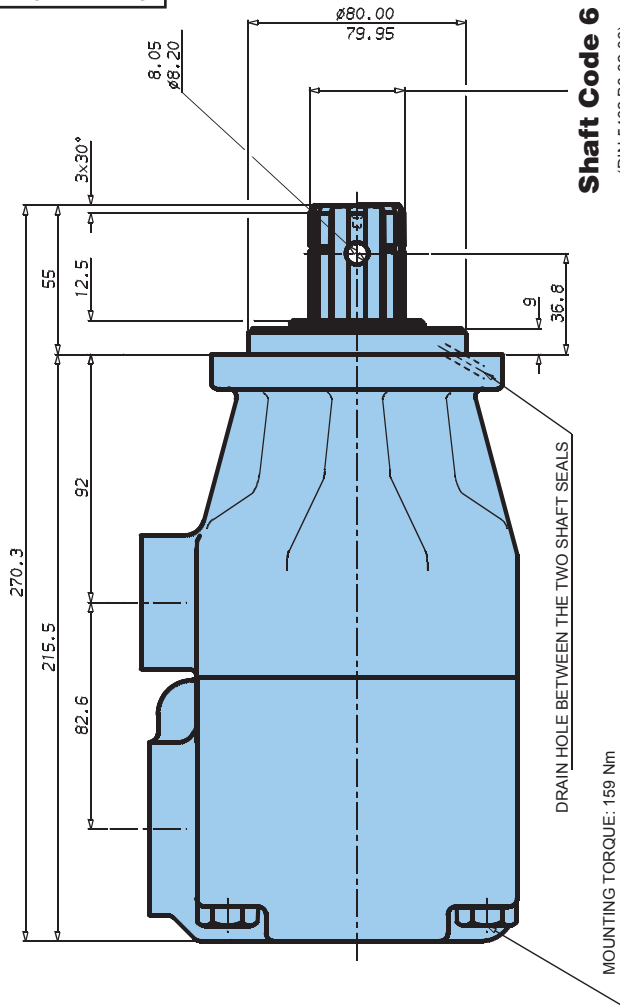
POWER LOSS HYDROMECHANICAL (TYPICAL)



PERMISSIBLE RADIAL LOAD



Weight 18.0 kg





DTA

Damen Technical Agencies

ANY PART TIME WHERE

we are doing our parts to keep you moving!

Damen Technical Agencies B.V.

Prins Willemstraat 10 - 4791 JR Klundert - The Netherlands

+31 - 168 - 407 144

info@vanepump.eu - vanepump.eu - dta.eu



DTA

Damen Technical Agencies