



DTA

Damen Technical Agencies



Industrial Hydraulic Pumps

T6E

Denison Vane Technology, fixed displacement

Hydraulic Pumps

Hydraulic Motors

Hydraulic Valves

Hydraulic Cylinders

Hydraulic Filtration

Hydraulic Accumulators



ENGINEERING YOUR SUCCESS.

We are doing our parts to keep you moving!

DTA your 1 Stop Shop for Hydraulics, Pneumatics and Power Transmissions.

DECLARATION OF CONFORMITY

DTA Hydraulics is a tradename of Damen Technical Agencies BV, supplying hydraulic parts to various industries since 1990. As a Certified Distributor Hydraulics by Parker Hannifin and Authorized Denison Vane Pump Assembler, we guarantee the use of original parts and components. As such we provide you with vane pumps of the same level of quality and warranty conditions as the factory does.

We highly recommend to **use genuine Denison Hydraulics spare parts only** in order to ensure smooth operation and longer service life. Spare parts that we have on stock include pump cartridge kits, shaft and bearing assemblies, seal kits and non-wearing parts of both the T6 and T7 series vane pumps.



**ALL VANE PUMPS SUPPLIED OR REPAIRED BY
DTA HYDRAULICS HAVE BEEN ASSEMBLED ACCORDING
TO THE LATEST FACTORY SPECIFICATIONS WITH
BRAND NEW AND GENUINE DENISON HYDRAULICS PARTS**

We are able to provide you a large variety of options of the original Parker Denison single, double, and triple vane pumps. We can build any customized vane pump from our stock of genuine parts. You can now easily configure that vane pump yourself with the Denison Hydraulics Vane Pump Configurator.

vanepump.eu/vanepumps

Use advanced search to filter results based on configurable options and select any of the 25,000 vane pumps that are listed in our online catalogue. Most of the models are available from stock and ready for shipment to any place in the world instantly. We can supply **Any part, Anytime, Anywhere!**



ORDERING CODE - T6E SERIES INDUSTRIAL APPLICATION

Model No.

T6E - 066 - 3 R 00 - A 1

Series

Cam ring

(Delivery at 0 bar & 1500 r.p.m.)

042 = 198,5 l/min 062 = 295,0 l/min
 045 = 213,6 l/min 066 = 319,9 l/min
 050 = 237,7 l/min 072 = 340,6 l/min
 052 = 247,2 l/min

Type of shaft

1 = keyed (SAE CC)
 2 = keyed (no SAE)
 3 = splined (SAE C)
 4 = splined (SAE CC)

Modification

Seal class

1 = S1 (for mineral oil)
 4 = S4 (for resistant fluids)
 5 = S5 (for mineral oil and fire resistant fluids)

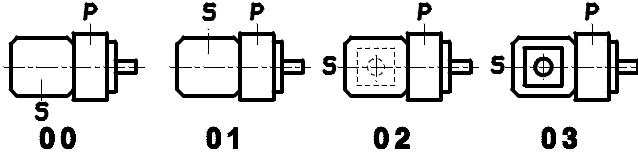
Design letter

Porting combination

00 = standard

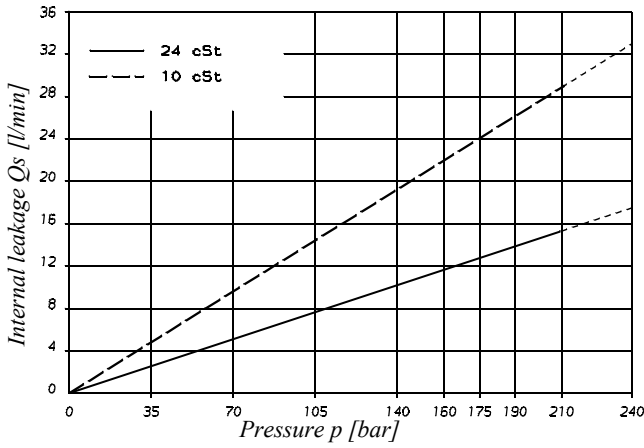
Direct. of rotation (view on shaft end)

R = clockwise
 L = counter-clockwise



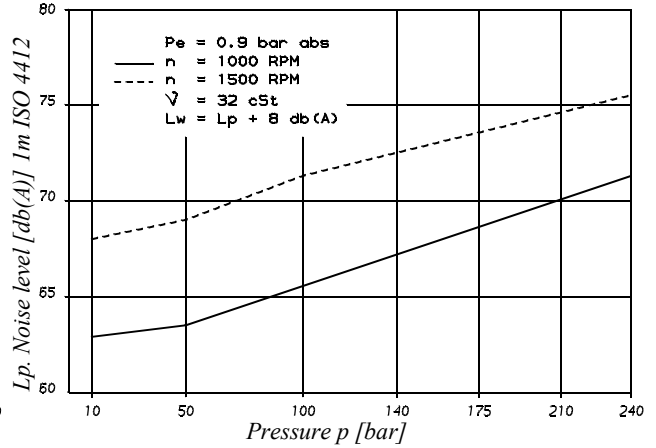
P = Pressure port
 S = Suction port

INTERNAL LEAKAGE (TYPICAL)

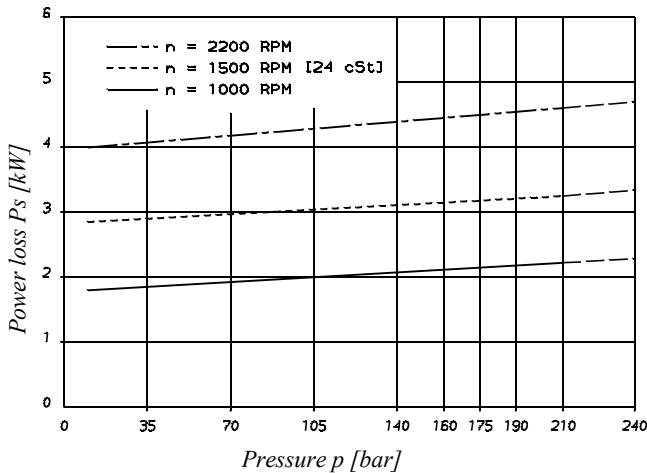


NOISE LEVEL (TYPICAL)

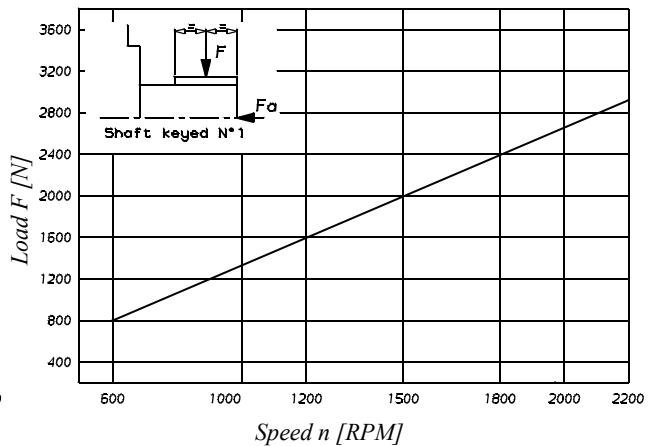
T6E - 050



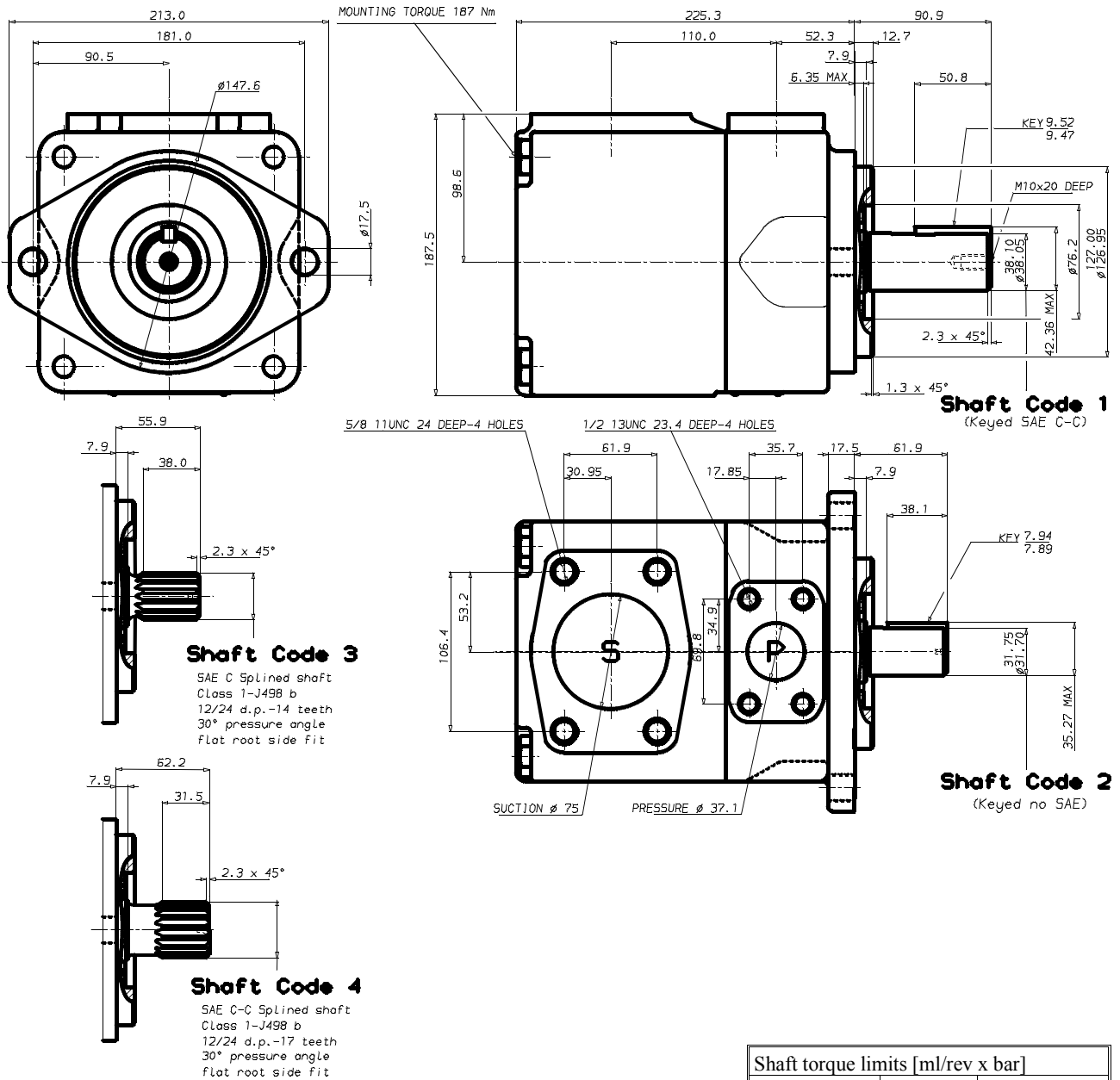
POWER LOSS HYDROMECHANICAL (TYPICAL)



PERMISSIBLE RADIAL LOAD



Maximum permissible axial load Fa = 2000 N



Shaft torque limits [ml/rev x bar]		
Pump	Shaft	V x p max.
T6E	2	34590

OPERATING CHARACTERISTICS - TYPICAL [24 cSt]

Series	Volumetric Displacement Vi	Speed n [R.P.M.]	Flow q _v [l/min]			Input power P [kW]		
			p = 0 bar	p = 140 bar	p = 240 bar	p = 7 bar	p = 140 bar	p = 240 bar
042	132,3 ml/rev	1000	132,3	122,3	115,2	3,2	32,9	55,2
		1500	198,5	188,5	181,3	5,2	49,4	82,6
045	142,4 ml/rev	1000	142,4	132,4	125,3	3,4	35,3	59,2
		1500	213,6	203,6	196,5	5,4	52,9	88,7
050	158,5 ml/rev	1000	158,5	148,5	141,4	3,5	39,0	65,6
		1500	237,7	227,7	220,6	5,7	58,5	98,3
052	164,8 ml/rev	1000	164,8	154,8	147,7	3,6	40,5	68,2
		1500	247,2	237,2	230,1	5,8	60,8	102,1
062	196,7 ml/rev	1000	196,7	186,7	179,6	4,0	47,9	80,9
		1500	295,0	285,0	277,9	6,4	71,9	121,3
066	213,3 ml/rev	1000	213,3	203,3	196,2	4,2	51,8	87,6
		1500	319,9	309,9	302,8	6,7	77,7	131,2
072	227,1 ml/rev	1000	227,1	217,1	210,0	4,3	55,0	93,1
		1500	340,6	330,6	323,5	6,9	82,6	139,5

Port connection can be furnished with metric threads.

ANY PART ANY TIME ANY WHERE

We are doing our parts to keep you moving!

DTA your ONE Stop Shop
for Hydraulics, Pneumatics and Power Transmissions

Damen Technical Agencies B.V.

Prins Willemstraat 10 - 4791 JR Klundert - The Netherlands

+31 - 168 - 407 144

info@vanepump.eu - vanepump.eu - dta.eu