



DTA

Damen Technical Agencies



Mobile Hydraulic Pumps T6DCM, T6DCP, T6DCMW

Denison Vane Technology, fixed displacement

Hydraulic Pumps

- Hydraulic Motors
- Hydraulic Valves
- Hydraulic Cylinders
- Hydraulic Filtration
- Hydraulic Accumulators



ENGINEERING YOUR SUCCESS.

We are doing our parts to keep you moving!

DTA your 1 Stop Shop for Hydraulics, Pneumatics and Power Transmissions.

DECLARATION OF CONFORMITY

DTA Hydraulics is a tradename of Damen Technical Agencies BV, supplying hydraulic parts to various industries since 1990. As a Certified Distributor Hydraulics by Parker Hannifin and Authorized Denison Vane Pump Assembler, we guarantee the use of original parts and components. As such we provide you with vane pumps of the same level of quality and warranty conditions as the factory does.

We highly recommend to **use genuine Denison Hydraulics spare parts only** in order to ensure smooth operation and longer service life. Spare parts that we have on stock include pump cartridge kits, shaft and bearing assemblies, seal kits and non-wearing parts of both the T6 and T7 series vane pumps.



**ALL VANE PUMPS SUPPLIED OR REPAIRED BY
DTA HYDRAULICS HAVE BEEN ASSEMBLED ACCORDING
TO THE LATEST FACTORY SPECIFICATIONS WITH
BRAND NEW AND GENUINE DENISON HYDRAULICS PARTS**

We are able to provide you a large variety of options of the original Parker Denison single, double, and triple vane pumps. We can build any customized vane pump from our stock of genuine parts. You can now easily configure that vane pump yourself with the Denison Hydraulics Vane Pump Configurator.

vanepump.eu/vanepumps

Use advanced search to filter results based on configurable options and select any of the 25,000 vane pumps that are listed in our online catalogue. Most of the models are available from stock and ready for shipment to any place in the world instantly. We can supply **Any part, Anytime, Anywhere!**



Ordering Code

Model No.

T6DC* W - B38 - B22 - 1 R 00 - C 1

Series M = Mobile 1 shaft seal
Series P = Mobile 2 shaft seals
Use for severe duty shaft only*

Cam ring for "P1"

(Delivery at 0 bar & 1500 r.p.m.)

B14 = 71,4 l/min	B35 = 166,5 l/min
B17 = 87,3 l/min	B38 = 180,4 l/min
B20 = 99,0 l/min	B42 = 204,0 l/min
B24 = 119,3 l/min	B45 = 218,5 l/min
B28 = 134,5 l/min	B50 = 237,0 l/min
B31 = 147,4 l/min	

Cam ring for "P2"

(Delivery at 0 bar & 1500 r.p.m.)

B03 = 16,2 l/min	B17 = 87,4 l/min
B05 = 25,8 l/min	B20 = 95,7 l/min
B06 = 31,9 l/min	B22 = 105,4 l/min
B08 = 39,6 l/min	B25 = 118,9 l/min
B10 = 51,1 l/min	B28 = 133,2 l/min
B12 = 55,6 l/min	B31 = 150,0 l/min
B14 = 69,0 l/min	

Modification

Seal Class

- 1 = S1 (for mineral oil)
- 4 = S4 (for the resistant fluids)
- 5 = S5 (for mineral oil and fire resistant fluids)

Design letter

Porting combination (see page 34)

00 = standard

Direct. of rotation (view on shaft end)

- R = clockwise
- L = counter-clockwise

Type of shaft

- P version
- 3 = splined (no SAE)

Type of shaft

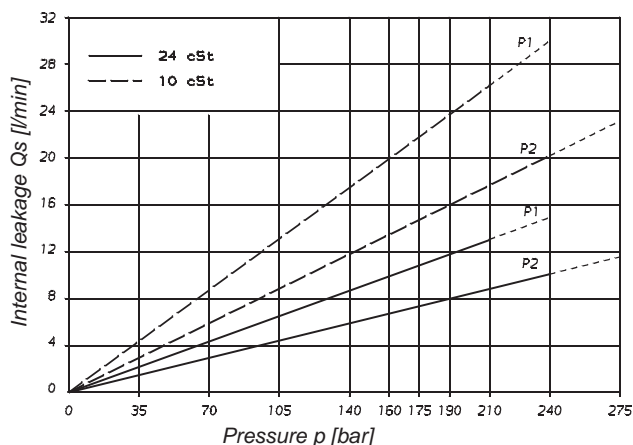
M version

- 1 = keyed (SAE C)
- 2 = keyed (no SAE)
- 3 = splined (SAE C)
- 4 = splined (no SAE)

MW severe duty

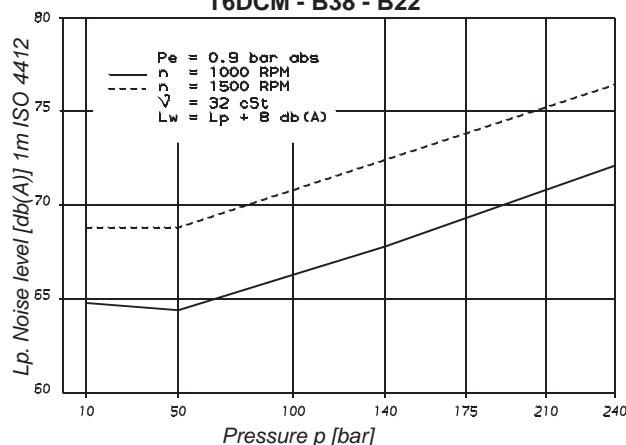
- *5 = keyed (no SAE)
- *T = splined (SAE J718c)

INTERNAL LEAKAGE (TYPICAL)



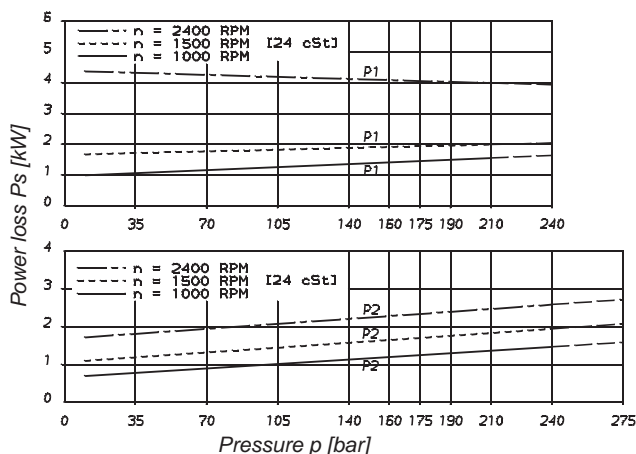
Do not operate the pump more than 5 seconds at any speed or viscosity if internal leakage is more than 50 % of theoretical flow. Total leakage is the sum of each section loss at its operating conditions.

NOISE LEVEL (TYPICAL)
T6DCM - B38 - B22



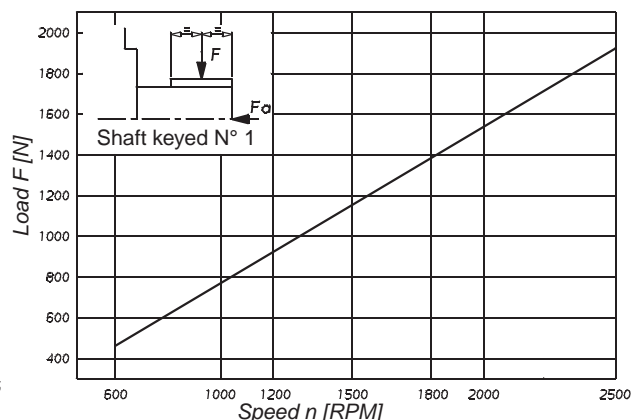
Double pump noise level is given with each section discharging at the pressure noted on the curve.

POWER LOSS HYDROMECHANICAL (TYPICAL)

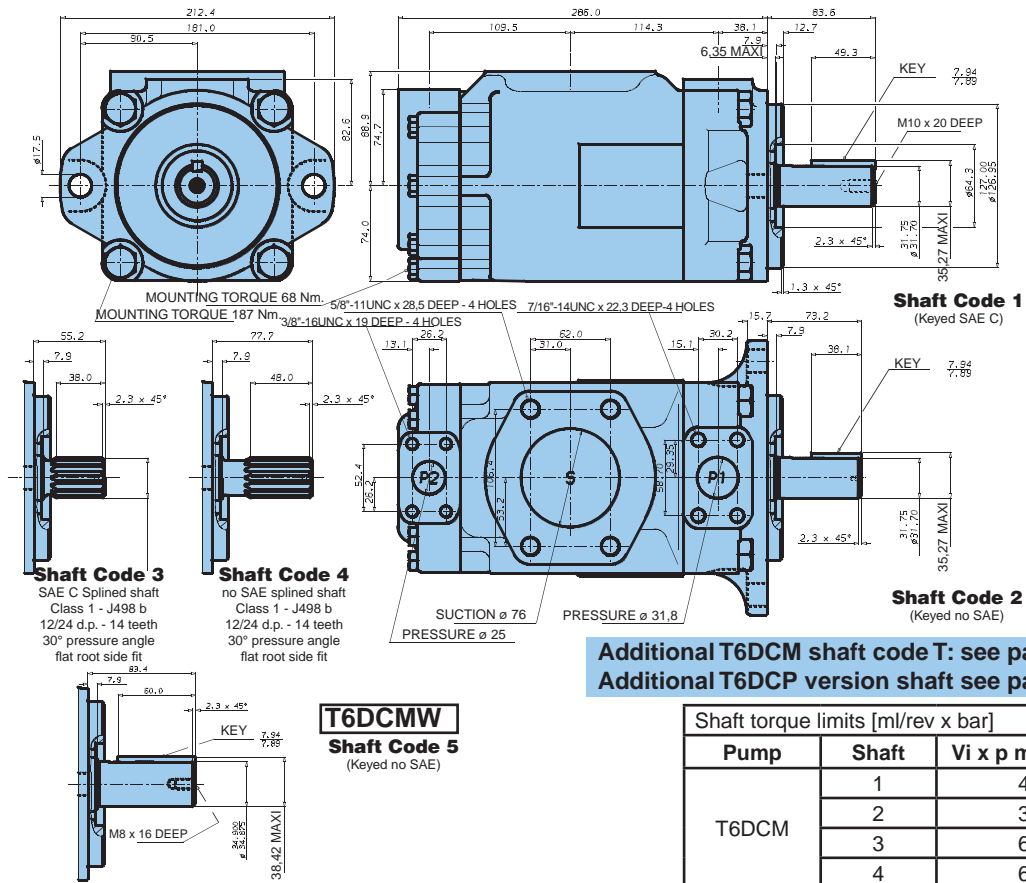


Total hydrodynamic power loss is the sum of each section at its operating conditions.

PERMISSIBLE RADIAL LOAD



Maximum permissible axial load Fa = 1200 N



OPERATING CHARACTERISTICS - TYPICAL [24 cSt]

Pressure port	Series	Volumetric Displacement Vi	Flow Q [l/min] & n = 1500 RPM			Input power P [kW] & n = 1500 RPM		
			p = 0 bar	p = 140 bar	p = 240 bar	p = 7 bar	p = 140 bar	p = 240 bar
P1	B14	47,6 ml/rev	71,4	62,1	55,9	2,3	18,5	30,6
	B17	58,2 ml/rev	87,3	78,0	71,8	2,5	22,2	37,0
	B20	66,0 ml/rev	99,0	89,7	83,5	2,8	24,9	41,7
	B24	79,5 ml/rev	119,3	110,0	103,8	3,0	29,6	49,8
	B28	89,7 ml/rev	134,5	125,2	119,0	3,2	33,2	55,9
	B31	98,3 ml/rev	147,4	138,1	131,9	3,3	36,2	61,0
	B35	111,0 ml/rev	166,5	157,2	151,0	3,5	40,7	68,7
	B38	120,3 ml/rev	180,4	171,1	164,9	3,7	43,9	74,3
	B42 ²⁾	136,0 ml/rev	204,0	194,7	188,5	4,0	49,4	83,7
	B45 ²⁾	145,7 ml/rev	218,5	209,2	203,0	4,1	52,8	89,5
B50 ²⁾	158,0 ml/rev	237,0	227,7	224,0 ¹⁾	4,4	57,0	85,0 ¹⁾	
P2	B03	10,8 ml/rev	16,2	10,7	-	1,3	5,3	-
	B05	17,2 ml/rev	25,8	20,3	15,8	1,4	7,5	12,2
	B06	21,3 ml/rev	31,9	26,5	22,0	1,5	8,9	14,7
	B08	26,4 ml/rev	39,6	34,1	29,6	1,6	10,7	17,7
	B10	34,1 ml/rev	51,1	45,7	41,2	1,7	13,4	22,3
	B12	37,1 ml/rev	55,6	50,2	45,7	1,7	14,4	24,1
	B14	46,0 ml/rev	69,0	63,5	59,0	1,9	17,6	29,5
	B17	58,3 ml/rev	87,4	82,0	77,5	2,1	21,9	36,9
	B20	63,8 ml/rev	95,7	90,2	85,7	2,2	23,8	40,2
	B22	70,3 ml/rev	105,4	100,0	95,5	2,3	26,1	44,1
	B25	79,3 ml/rev	118,9	113,5	109,0	2,5	29,2	49,5
	B28	88,8 ml/rev	133,2	127,7	124,5 ¹⁾	2,8	32,7	48,5 ¹⁾
	B31	100,0 ml/rev	150,0	144,5	141,3 ¹⁾	2,8	36,5	54,4 ¹⁾

¹⁾ B28 - B31 - B50 = 210 bar max. int. ²⁾ B42 - B45 - B50 = 2200 R.P.M. max

- Not to use because internal leakage greater than 50% theoretical flow

Port connection can be furnished with metric threads.



DTA

Damen Technical Agencies

ANY PART TIME WHERE

we are doing our parts to keep you moving!

Damen Technical Agencies B.V.

Prins Willemstraat 10 - 4791 JR Klundert - The Netherlands

+31 - 168 - 407 144

info@vanepump.eu - vanepump.eu - dta.eu



DTA

Damen Technical Agencies