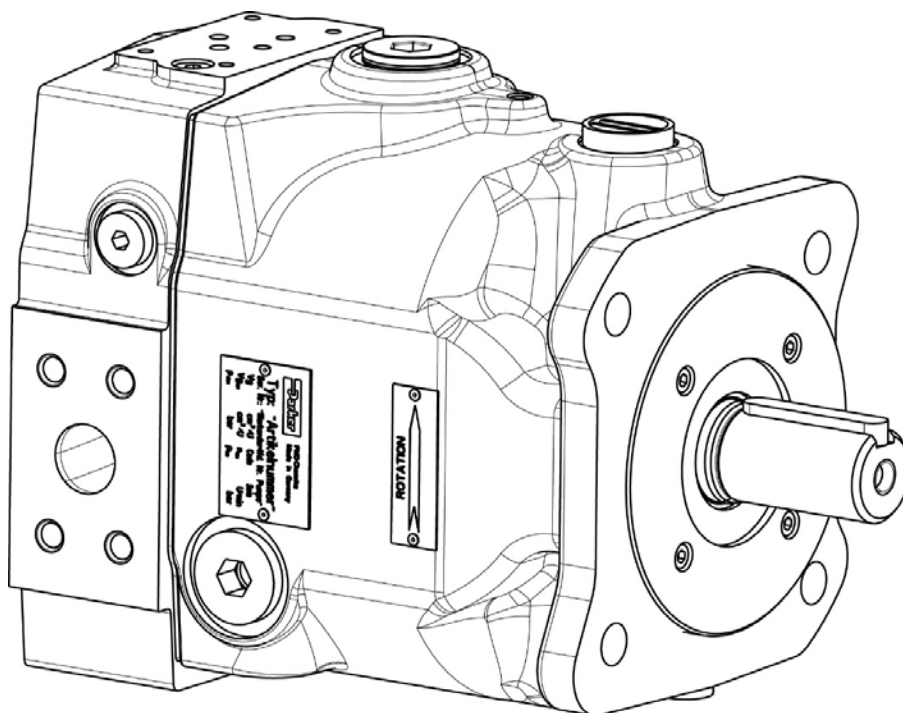


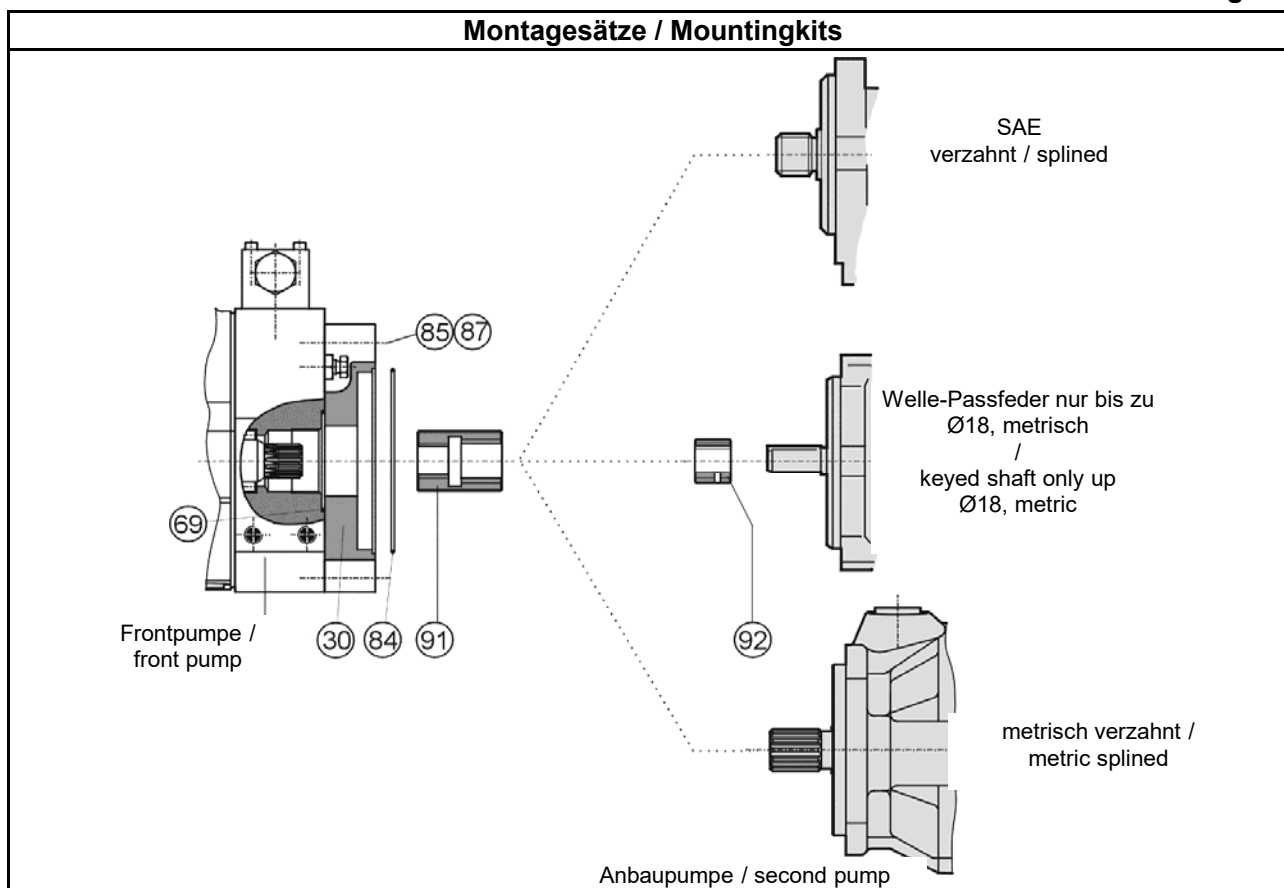


# Ersatzteilliste / Sparepartlist *PVplus*

## PV032 - PV046

Konstruktionsstand / Design Series  
46





Pos	Stck/Qty	Code	Beschreibung / Description	Bemerkung/Remark
		<b>MK- PVBG2</b>	<b>Anbaukit Kupplung / Mounting kit coupling Serie PVplus, PV032 - PV046</b>	
		<b>K01</b>	<b>Anbaupumpe / Second pump: N25 x 1,5 x 15 DIN 5480</b>	
		<b>K02</b>	<b>Anbaupumpe / Second pump: N32 x 1,5 x 20 DIN 5480</b>	
		<b>K11</b>	<b>Anbaupumpe / Second pump: SAE splined shaft 9T16/32DP flat root side fit</b>	
		<b>K12</b>	<b>Anbaupumpe / Second pump: SAE splined shaft 11T16/32DP flat root side fit</b>	
		<b>K13</b>	<b>Anbaupumpe / Second pump: SAE splined shaft 13T16/32DP flat root side fit</b>	
		<b>K14</b>	<b>Anbaupumpe / Second pump: SAE splined shaft 15T16/32DP flat root side fit</b>	
		<b>K15</b>	<b>Anbaupumpe / Second pump: SAE splined shaft 14T12/24DP flat root side fit</b>	
		<b>K20</b>	<b>Anbaupumpe / Second pump: metric keyed shaft Ø 12 mm</b>	
		<b>K21</b>	<b>Anbaupumpe / Second pump: metric keyed shaft Ø 16 mm</b>	
		<b>K22</b>	<b>Anbaupumpe / Second pump: metric keyed shaft Ø 18 mm</b>	
		<b>40</b>	<b>design series 40 - 46</b> enthält / includes:	
91	1		Kupplung metrisch / coupling, metric - N32 x 1,5 x 20 DIN 5480	Code:K02, K20 - K22
91	(1)		Kupplung metrisch / coupling, metric - N25 x 1,5 x 15 DIN 5480	Code: K01
91	(1)		Kupplung / coupling, SAE, 14T12/24DP, flat root, side fit	Code: K15
91	(1)		Kupplung / coupling, SAE, 15T16/32DP, flat root, side fit	Code: K14
91	(1)		Kupplung / coupling, SAE, 13T16/32DP, flat root, side fit	Code: K13
91	(1)		Kupplung / coupling, SAE, 11T16/32DP, flat root, side fit	Code: K12
91	(1)		Kupplung / coupling, SAE, 9T16/32DP, flat root, side fit	Code: K11
92	(1)		Mitnehmer Passfeder / adaptor for keyed shaft Ø18 ; + Pos.91 ; + K02	Code: K22
92	(1)		Mitnehmer Passfeder / adaptor for keyed shaft Ø16 ; + Pos.91 ; + K02	Code: K21
92	(1)		Mitnehmer Passfeder / adaptor for keyed shaft Ø12 ; + Pos.91 ; + K02	Code: K20

Pos	Stck/Qty	Code	Beschreibung / Description	Bemerkung/Remark
		<b>MK-</b>	<b>Anbaukit / Mounting kit thru drive (adaptor for thru drive pump)</b>	Schrauben und Scheiben für Anbau der zweiten Pumpe nicht enthalten /
		<b>PVBG2</b>	<b>Serie PVplus, PV032 - PV046</b>	screws and washer needed to fix the second pump not included.
		<b>A</b>	<b>Für Anbaupumpe / For thru drive pump: SAE A, Ø 82,55</b>	
		<b>B</b>	<b>Für Anbaupumpe / For thru drive pump: SAE B, Ø 101,6</b>	
		<b>C</b>	<b>Für Anbaupumpe / For thru drive pump: SAE C, Ø 127</b>	
		<b>G</b>	<b>Für Anbaupumpe / For thru drive pump: metric Ø 63</b>	
		<b>H</b>	<b>Für Anbaupumpe / For thru drive pump: metric Ø 80</b>	
		<b>J</b>	<b>Für Anbaupumpe / For thru drive pump: metric Ø 100</b>	
		<b>K</b>	<b>Für Anbaupumpe / For thru drive pump: metric Ø 125</b>	
		<b>T</b>	<b>kein Durchtrieb + Stopfen / no thru drive + plug</b>	
		<b>M</b>	<b>metrisch / metric- Schrauben / screws</b>	
		<b>S</b>	<b>UNC - Schrauben / screws</b>	
		<b>N</b>	<b>NBR</b>	
		<b>V</b>	<b>FKM</b>	
		<b>40</b>	<b>Konstruktionsstand / design series 40 - 46</b>	
			enthält / includes:	
30	1		Durchtrieb / thru drive SAE A, Ø 82,55, Gewinde / threads - Metr.	Code: A Metr
30	(1)		Durchtrieb / thru drive SAE A, Ø 82,55, Gewinde / threads - UNC	Code: A SAE
30	(1)		Durchtrieb / thru drive SAE B, Ø 101,6, Gewinde / threads - Metr.	Code: B Metr
30	(1)		Durchtrieb / thru drive SAE B, Ø 101,6, Gewinde / threads - UNC	Code: B SAE
30	(1)		Durchtrieb / thru drive SAE C, Ø 127, Gewinde / threads - Metr.	Code: C Metr
30	(1)		Durchtrieb / thru drive SAE C, Ø 127, Gewinde / threads - UNC	Code: C SAE
30	(1)		Durchtrieb / thru drive, metr. Ø 63, Gewinde / threads - Metr.	Code: G Metr
30	(1)		Durchtrieb / thru drive, metr. Ø 63, Gewinde / threads - UNC	Code: G SAE
30	(1)		Durchtrieb / thru drive, metr. Ø 80, Gewinde / threads - Metr.	Code: H Metr
30	(1)		Durchtrieb / thru drive, metr. Ø 80, Gewinde / threads - UNC	Code: H SAE
30	(1)		Durchtrieb / thru drive, metr. Ø 100, Gewinde / threads - Metr.	Code: J Metr
30	(1)		Durchtrieb / thru drive, metr. Ø 100, Gewinde / threads - UNC	Code: J SAE
30	(1)		Durchtrieb / thru drive, metr. Ø 125, Gewinde / threads - Metr.	Code: K Metr
30	(1)		Durchtrieb / thru drive, metr. Ø 125, Gewinde / threads - UNC	Code: K SAE
49	1		Verschlussstopfen / port plug, thru drive, CM 45x1,5 DIN7604 - 5.8	Code: T
69	1		O-Ring - 2-030-N552-90; 41,00 x 1,78	Code: T, NBR
69	(1)		O-Ring - 2-030-V747-75; 41,00 x 1,78	Code: T, FKM
69	1		O-Ring - 2-146-N552-90; 66,34 x 2,62	NBR
69	(1)		O-Ring - 2-146-V747-75; 66,34 x 2,62	FKM
84	1		O-Ring - 2-036-N552-90; 60,05 x 1,78	Code: G, NBR
84	(1)		O-Ring - 2-036-V747-75; 60,05 x 1,78	Code: G, FKM
84	1		O-Ring - 2-041-N552-90; 75,92 x 1,78	Code: A, H, NBR
84	(1)		O-Ring - 2-041-V747-70; 75,92 x 1,78	Code: A, H, FKM
84	1		O-Ring - 2-044-N674-70; 94,97 x 1,78	Code: B, J, NBR
84	(1)		O-Ring - 2-044-V747-75; 94,97 x 1,78	Code: B, J, FKM
84	1		O-Ring - 2-048-N552-90; 120,37 x 1,78	Code: C, K, NBR
84	(1)		O-Ring - 2-048-V747-75; 120,37 x 1,78	Code: C, K, FKM
85	4		Schraube / hexagon socket head cap screw M12x40 DIN912 12.9	Metr.
85	(4)		Schraube / hexagon socket head cap screw 1/2"-13UNCx11/2" 12.9	UNC
87	2		locator pin 8 M6 x 16 DIN 7	