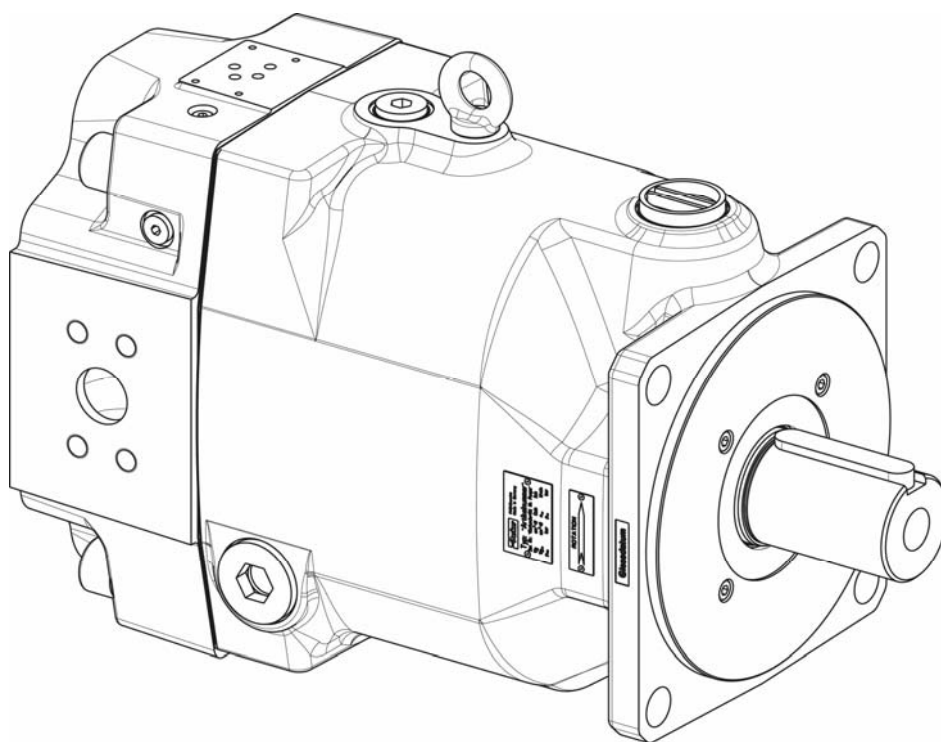


Parker Hannifin Manufacturing Germany
GmbH & Co. KG
Pump & Motor Division
Chemnitz, Germany



Ersatzteilliste / Sparepartlist *PVplus*

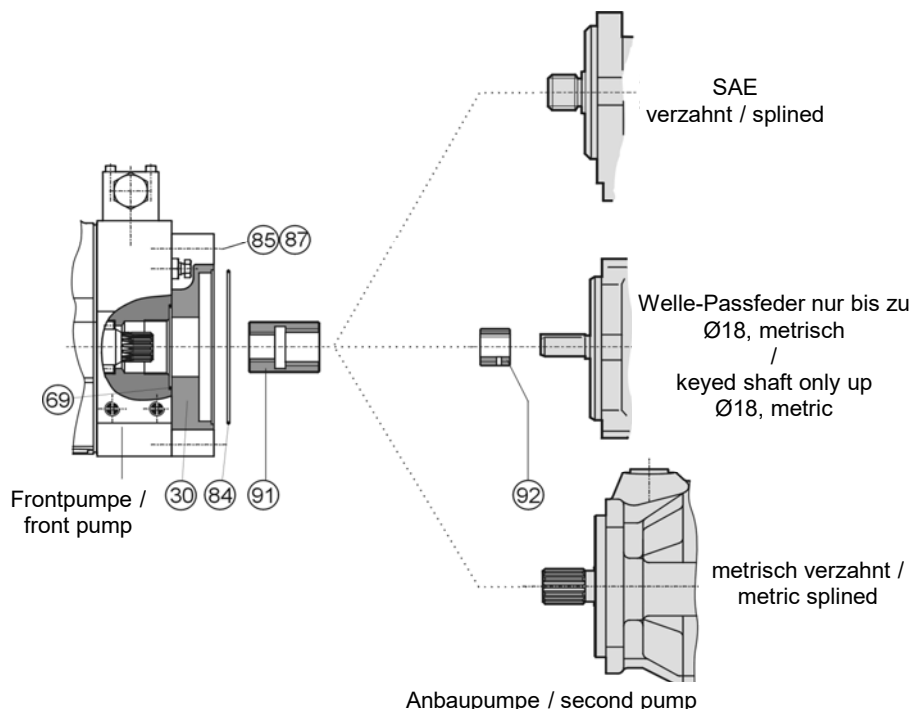
PV360
Baugröße 6 / frame size 6



Version

September 2017

Montagesätze / Mountingkits



Pos.	Stck/Qty	Code	Beschreibung / Description	Bemerkung/Remark
		MK - PVBG5	Anbau-Satz Kupplung / Mounting kit coupling Serie PVplus, PV270 - PV360	
		K01	Anbaupumpe / Second pump: N25 x 1,5 x 15 DIN 5480	
		K02	Anbaupumpe / Second pump: N32 x 1,5 x 20 DIN 5480	
		K03	Anbaupumpe / Second pump: N40 x 1,5 x 25 DIN 5480	
		K04	Anbaupumpe / Second pump: N50 x 2 x 24 DIN 5480	
		K05	Anbaupumpe / Second pump: N60 x 2 x 28 DIN 5480	
		K06	Anbaupumpe / Second pump: N70 x 3 x 22 DIN 5480	
		K11	Anbaupumpe / Second pump: SAE splined shaft 9T16/32DP flat root side fit	
		K12	Anbaupumpe / Second pump: SAE splined shaft 11T16/32DP flat root side fit	
		K13	Anbaupumpe / Second pump: SAE splined shaft 13T16/32DP flat root side fit	
		K14	Anbaupumpe / Second pump: SAE splined shaft 15T16/32DP flat root side fit	
		K15	Anbaupumpe / Second pump: SAE splined shaft 14T12/24DP flat root side fit	
		K16	Anbaupumpe / Second pump: SAE splined shaft 17T12/24DP flat root side fit	
		K17	Anbaupumpe / Second pump: SAE splined shaft 13T8/16DP flat root side fit	
		K18	Anbaupumpe / Second pump: SAE splined shaft 15T8/16DP flat root side fit	
		K20	Anbaupumpe / Second pump: metric keyed shaft Ø 12 mm	
		K21	Anbaupumpe / Second pump: metric keyed shaft Ø 16 mm	
		K22	Anbaupumpe / Second pump: metric keyed shaft Ø 18 mm	
		40	Konstruktionsstand / design series 40 - 46 enthält / includes:	
91	1		Kupplung metrisch / coupling, metric - N70 x 3 x 22 DIN 5480	code: K06
91	(1)		Kupplung metrisch / coupling, metric - N60 x 2 x 28 DIN 5480	code: K05
91	(1)		Kupplung metrisch / coupling, metric - N50 x 2 x 24 DIN 5480	code: K04
91	(1)		Kupplung metrisch / coupling, metric - N40 x 1,5 x 25 DIN 5480	code: K03
91	(1)		Kupplung metrisch / coupling, metric - N32 x 1,5 x 20 DIN 5480	code: K02, K20-K22
91	(1)		Kupplung metrisch / coupling, metric - N25 x 1,5 x 15 DIN 5480	Code: K01
91	(1)		Kupplung / coupling, SAE, 15T 8/16DP, flat root, side fit	Code: K18
91	(1)		Kupplung / coupling, SAE, 13T 8/16DP, flat root, side fit	Code: K17
91	(1)		Kupplung / coupling, SAE, 17T 12/24DP, flat root, side fit	Code: K16
91	(1)		Kupplung / coupling, SAE, 14T 12/24DP, flat root, side fit	Code: K15
91	(1)		Kupplung / coupling, SAE, 15T 16/32DP, flat root, side fit	Code: K14
91	(1)		Kupplung / coupling, SAE, 13T 16/32DP, flat root, side fit	Code: K13
91	(1)		Kupplung / coupling, SAE, 11T 16/32DP, flat root, side fit	Code: K12
91	(1)		Kupplung / coupling, SAE, 9T 16/32DP, flat root, side fit	Code: K11
92	(1)		Mitnehmer Passfeder / adaptor for keyed shaft Ø18 ; + Pos.91 ; + K02	Code: K22
92	(1)		Mitnehmer Passfeder / adaptor for keyed shaft Ø16 ; + Pos.91 ; + K02	Code: K21
92	(1)		Mitnehmer Passfeder / adaptor for keyed shaft Ø12 ; + Pos.91 ; + K02	Code: K20

Pos.	Stck/Qty	Code	Beschreibung / Description	Bemerkung/Remark
		MK -	Anbau-Satz / Mounting kit thru drive (adaptor for thru drive pump)	Schrauben und Scheiben für Anbau der zweiten Pumpe nicht enthalten / screws and washer needed to fix the second pump not included.
		PVBG5	Serie PVplus, PV270 - PV360	
		A	Für Anbaupumpe / For thru drive pump: SAE A, Ø 82,55	
		B	Für Anbaupumpe / For thru drive pump: SAE B, Ø 101,6	
		C	Für Anbaupumpe / For thru drive pump: SAE C, Ø 127	
		D	Für Anbaupumpe / For thru drive pump: SAE C, Ø 152,4	
		E	Für Anbaupumpe / For thru drive pump: metric Ø 165,1	
		H	Für Anbaupumpe / For thru drive pump: metric Ø 80	
		J	Für Anbaupumpe / For thru drive pump: metric Ø 100	
		K	Für Anbaupumpe / For thru drive pump: metric Ø 125	
		L	Für Anbaupumpe / For thru drive pump: metric Ø 160	
		M	Für Anbaupumpe / For thru drive pump: metric Ø 200	
		T	kein Durchtrieb + Stopfen / no thru drive + plug	
		M	Metrisch / metric- Schrauben / screws	
		S	UNC - Schrauben / screws	
		N	NBR	
	40		design series 40 - 46	
			enthält / includes:	
30	1		Durchtrieb / thru drive SAE A, Ø 82,55, Gewinde / threads - Metr.	Code: A Metr
30	(1)		Durchtrieb / thru drive SAE A, Ø 82,55, Gewinde / threads - UNC	Code: A SAE
30	(1)		Durchtrieb / thru drive SAE B, Ø 101,6, Gewinde / threads - Metr.	Code: B Metr
30	(1)		Durchtrieb / thru drive SAE B, Ø 101,6, Gewinde / threads - UNC	Code: B SAE
30	(1)		Durchtrieb / thru drive SAE C, Ø 127, Gewinde / threads - Metr.	Code: C Metr
30	(1)		Durchtrieb / thru drive SAE C, Ø 127, Gewinde / threads - UNC	Code: C SAE
30	(1)		Durchtrieb / thru drive SAE D, Ø 152,4, Gewinde / threads - Metr.	Code: D Metr
30	(1)		Durchtrieb / thru drive SAE D, Ø 152,4, Gewinde / threads - UNC	Code: D SAE
30	(1)		Durchtrieb / thru drive SAE E, Ø 165,1, Gewinde / threads - Metr.	Code: E Metr
30	(1)		Durchtrieb / thru drive SAE E, Ø 165,1, Gewinde / threads - UNC	Code: E SAE
30	(1)		Durchtrieb / thru drive, metr. Ø 80, Gewinde / threads - Metr.	Code: H Metr
30	(1)		Durchtrieb / thru drive, metr. Ø 80, Gewinde / threads - UNC	Code: H SAE
30	(1)		Durchtrieb / thru drive, metr. Ø 100, Gewinde / threads - Metr.	Code: J Metr
30	(1)		Durchtrieb / thru drive, metr. Ø 100, Gewinde / threads - UNC	Code: J SAE
30	(1)		Durchtrieb / thru drive, metr. Ø 125, Gewinde / threads - Metr.	Code: K Metr
30	(1)		Durchtrieb / thru drive, metr. Ø 125, Gewinde / threads - UNC	Code: K SAE
30	(1)		Durchtrieb / thru drive, metr. Ø 160, Gewinde / threads - Metr.	Code: L Metr
30	(1)		Durchtrieb / thru drive, metr. Ø 160, Gewinde / threads - UNC	Code: L SAE
30	(1)		Durchtrieb / thru drive, metr. Ø 200, Gewinde / threads - Metr.	Code: Metr Metr
30	(1)		Durchtrieb / thru drive, metr. Ø 200, Gewinde / threads - UNC	Code: M SAE
31	1		Verschlußdeckel Durchtrieb / thru drive cover	Code: T
69	1		O-Ring 2-153 N90 88,57X2,62	Code: NBR
69	(1)		O-Ring 2-153 V90 88,57X2,62	Code: FKM
84	1		O-Ring 2-041-N552-90; 75,92 x 1,78	Code: A, H, NBR
84	(1)		O-Ring 2-041-V747-70; 75,92 x 1,78	Code: A, H, FKM
84	(1)		O-Ring 2-044-N674-70; 94,97 x 1,78	Code: B, J, NBR
84	(1)		O-Ring 2-044-V747-75; 94,97 x 1,78	Code: B, J, FKM
84	(1)		O-Ring 2-048-N552-90; 120,37 x 1,78	Code: C, K, NBR
84	(1)		O-Ring 2-048-V747-75; 120,37 x 1,78	Code: C, K, FKM
84	(1)		O-Ring 2-162-N674-70; 145,72 x 2,62	Code: D, NBR
84	(1)		O-Ring 2-162-V 747-75; 145,72 x 2,62	Code: D, FKM
84	(1)		O-Ring 2-164-N552-90; 158,42 x 2,62	Code: L, NBR
84	(1)		O-Ring 2-164-V747-75; 158,42 x 2,62	Code: L, FKM
84	(1)		O-Ring 2-165-N552-90; 164,77 x 2,62	Code: E, NBR
84	(1)		O-Ring 2-165-V747-75; 164,77 x 2,62	Code: E, FKM
84	(1)		O-Ring 2-170-N552-90; 196,52 x 2,62	Code: M, NBR
84	(1)		O-Ring 2-170-V747-75; 196,52 x 2,62	Code: M, FKM
85	4		Schraube / hexagon socket head cap screw M12x40 DIN912 12.9	Metr.
85	(4)		Schraube / hexagon socket head cap screw 5/8"-11UNCx11/2", 12.9	SAE
87	4		Zylinderstift / locator pin 8M6 x 16 DIN 7 für Durchtrieb / for thru drive	
97	2		Schraube / hexagon socket head cap screw M10x20 DIN912 12.9	Code: T Metr
97	(2)		Schraube / hexagon socket head cap screw 3/8"-16UNCx3/4", 12.9	Code: T SAE