



# DTA

Damen Technical Agencies



## Mobile Hydraulic Pumps T6GC, T6ZC

Denison Vane Technology, fixed displacement

### Hydraulic Pumps

- Hydraulic Motors
- Hydraulic Valves
- Hydraulic Cylinders
- Hydraulic Filtration
- Hydraulic Accumulators



ENGINEERING YOUR SUCCESS.

## We are doing our parts to keep you moving!

DTA your 1 Stop Shop for Hydraulics, Pneumatics and Power Transmissions.

# DECLARATION OF CONFORMITY

DTA Hydraulics is a tradename of Damen Technical Agencies BV, supplying hydraulic parts to various industries since 1990. As a Certified Distributor Hydraulics by Parker Hannifin and Authorized Denison Vane Pump Assembler, we guarantee the use of original parts and components. As such we provide you with vane pumps of the same level of quality and warranty conditions as the factory does.

We highly recommend to **use genuine Denison Hydraulics spare parts only** in order to ensure smooth operation and longer service life. Spare parts that we have on stock include pump cartridge kits, shaft and bearing assemblies, seal kits and non-wearing parts of both the T6 and T7 series vane pumps.



**ALL VANE PUMPS SUPPLIED OR REPAIRED BY  
DTA HYDRAULICS HAVE BEEN ASSEMBLED ACCORDING  
TO THE LATEST FACTORY SPECIFICATIONS WITH  
BRAND NEW AND GENUINE DENISON HYDRAULICS PARTS**

We are able to provide you a large variety of options of the original Parker Denison single, double, and triple vane pumps. We can build any customized vane pump from our stock of genuine parts. You can now easily configure that vane pump yourself with the Denison Hydraulics Vane Pump Configurator.

[vanepump.eu/vanepumps](http://vanepump.eu/vanepumps)

Use advanced search to filter results based on configurable options and select any of the 25,000 vane pumps that are listed in our online catalogue. Most of the models are available from stock and ready for shipment to any place in the world instantly. We can supply **Any part, Anytime, Anywhere!**



**Model No.** T6ZC - B22 - 6 R 00 - A 1 - 00 -

**Series** T6GC

**Cam ring** (Delivery at 0 bar & 1500 r.p.m.)  
 B03 = 16,2 l/min    B17 = 87,4 l/min  
 B05 = 25,8 l/min    B20 = 95,7 l/min  
 B06 = 31,9 l/min    B22 = 105,4 l/min  
 B08 = 39,6 l/min    B25 = 118,9 l/min  
 B10 = 51,1 l/min    B28 = 133,2 l/min  
 B12 = 55,6 l/min    B31 = 150,0 l/min  
 B14 = 69,0 l/min

**Type of shaft**  
 6 = splined (DIN 5462) T6GC  
 6 = splined (DIN 5463) T6ZC

**Direction of rotation (view on shaft end)**  
 R = clockwise  
 L = counter-clockwise

**Modification**

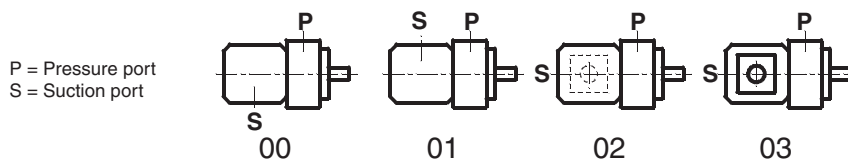
**Mounting W/connection variables**

Code	UNC		Metric T6GC only	
	00	01	M0	M1
S = 1.1/2"	SAE	SAE	SAE	SAE
P = 1"	BSPP	SAE	BSPP	SAE

**Seal class**  
 1 = S1 - BUNA N (T6GC and T6ZC)  
 5 = S5 - VITON® (T6ZC)

**Design letter**

**Porting combination**  
 00 = standard



**OPERATING CHARACTERISTICS - TYPICAL [24 cSt]**

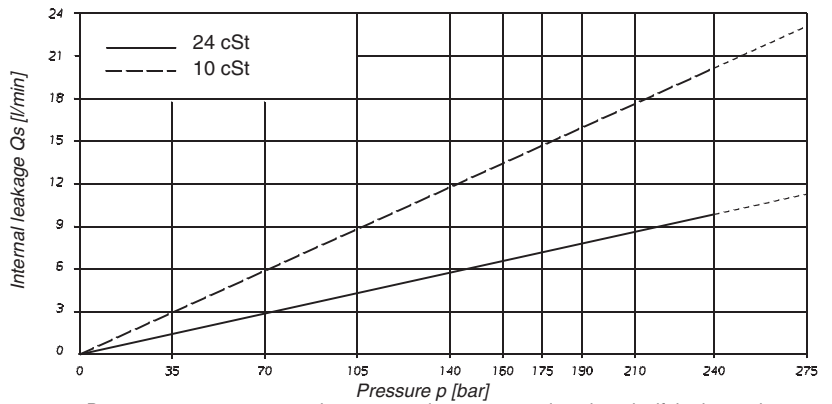
Series	Volumetric Displacement Vi	Speed n [R.P.M.]	Flow Q [l/min]			Input power P [kW]		
			p = 0 bar	p = 140 bar	p = 240 bar	p = 7 bar	p = 140 bar	p = 240 bar
B03	10,8 ml/rev	1000	10,8	-	-	1,0	-	-
		1500	16,2	10,7	-	1,3	5,3	-
B05	17,2 ml/rev	1000	17,2	11,7	-	1,1	5,1	-
		1500	25,8	20,3	15,8	1,4	7,5	12,2
B06	21,3 ml/rev	1000	21,3	15,8	11,3	1,1	6,0	10,0
		1500	31,9	26,5	22,0	1,5	8,9	14,7
B08	26,4 ml/rev	1000	26,4	20,9	16,4	1,2	7,2	12,1
		1500	39,6	34,1	29,6	1,6	10,7	17,7
B10	34,1 ml/rev	1000	34,1	28,6	24,1	1,3	8,9	15,1
		1500	51,1	45,7	41,2	1,7	13,4	22,3
B12	37,1 ml/rev	1000	37,1	31,6	27,1	1,3	9,6	16,3
		1500	55,6	50,2	45,7	1,7	14,4	24,1
B14	46,0 ml/rev	1000	46,0	40,5	36,0	1,4	11,7	19,9
		1500	69,0	63,5	59,0	1,9	17,6	29,5
B17	58,3 ml/rev	1000	58,3	52,8	48,3	1,6	14,5	24,8
		1500	87,4	82,0	77,5	2,1	21,9	36,9
B20	63,8 ml/rev	1000	63,8	58,3	53,8	1,6	15,8	27,0
		1500	95,7	90,2	85,7	2,2	23,8	40,2
B22	70,3 ml/rev	1000	70,3	64,8	60,3	1,7	17,3	29,6
		1500	105,4	100,0	95,5	2,3	26,1	44,1
B25 <sup>1)</sup>	79,3 ml/rev	1000	79,3	73,8	69,3	1,8	19,3	33,2
		1500	118,9	113,5	109,0	2,5	29,2	49,5
B28 <sup>1)</sup>	88,8 ml/rev	1000	88,8	83,3	80,1 <sup>2)</sup>	1,9	21,9	32,5 <sup>2)</sup>
		1500	133,2	127,7	124,5 <sup>2)</sup>	2,8	32,7	48,5 <sup>2)</sup>
B31 <sup>1)</sup>	100,0 ml/rev	1000	100,0	94,5	91,3 <sup>2)</sup>	2,0	24,4	36,4 <sup>2)</sup>
		1500	150,0	144,5	141,3 <sup>2)</sup>	2,8	36,5	54,4 <sup>2)</sup>

<sup>1)</sup> B25 - B28 - B31 = 2500 R.P.M. max.

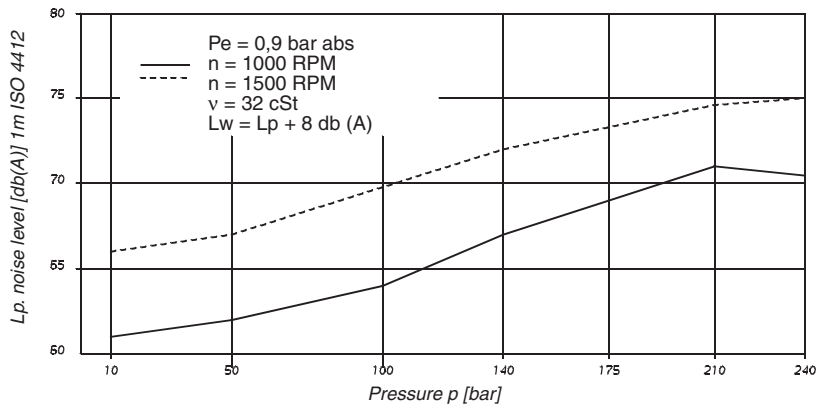
<sup>2)</sup> B28 - B31 = 210 bar max. int.

- Not to use if the internal leakage is greater than 50% of the theoretical flow.

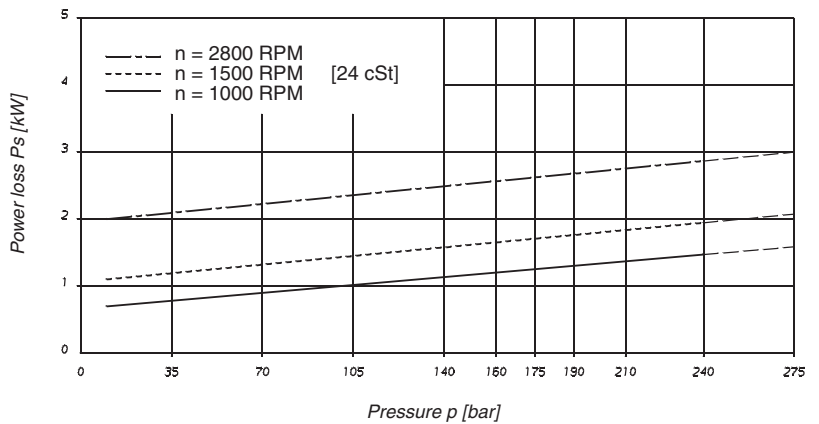
**INTERNAL LEAKAGE (TYPICAL)**



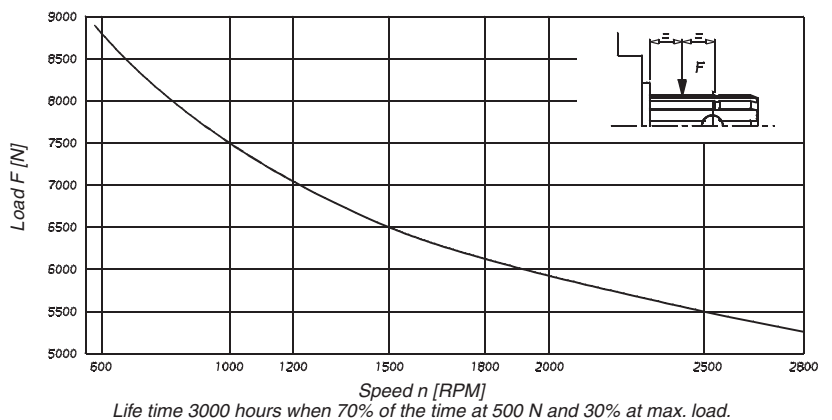
**NOISE LEVEL (TYPICAL)  
T6GC - B22**



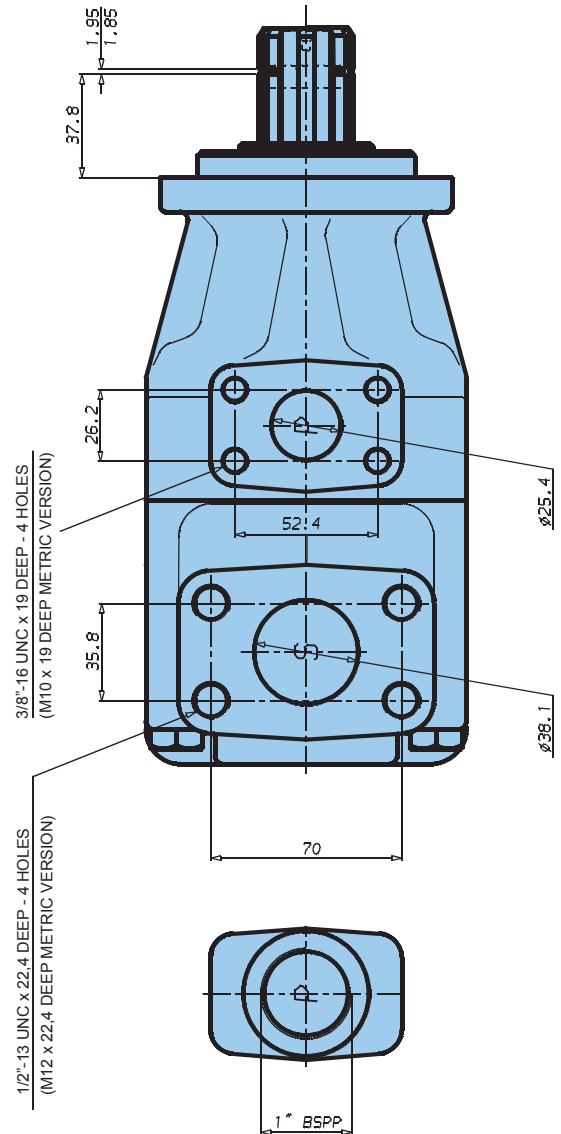
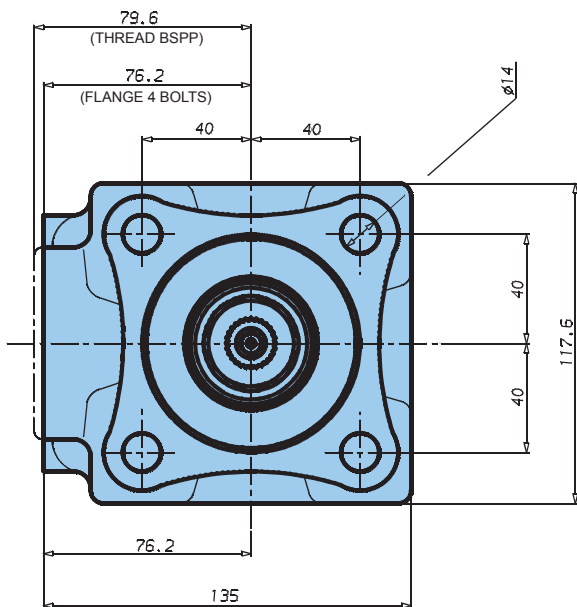
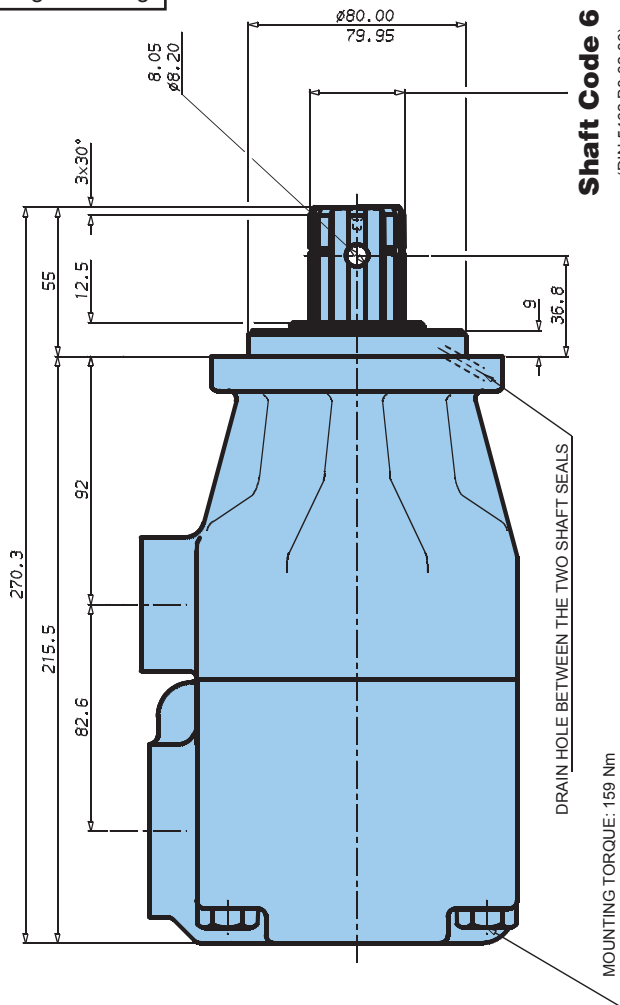
**POWER LOSS HYDROMECHANICAL  
(TYPICAL)**



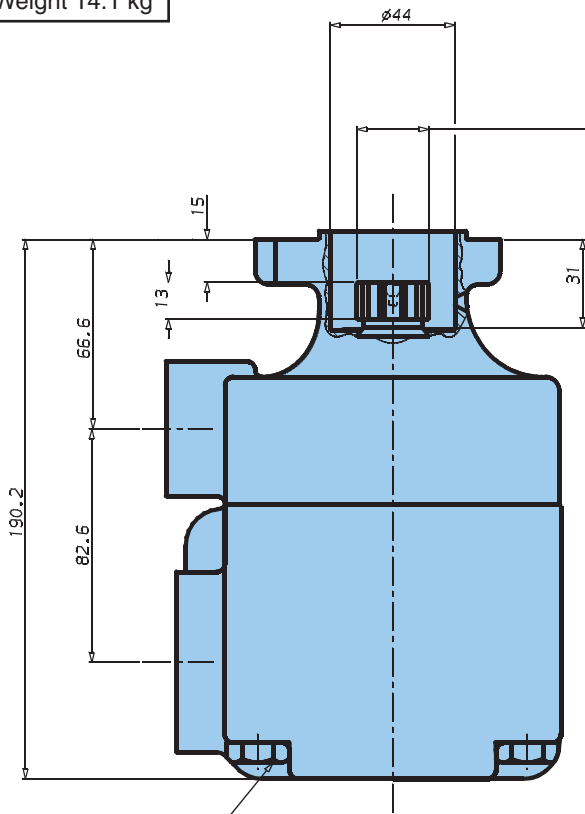
**PERMISSIBLE RADIAL LOAD  
T6GC**



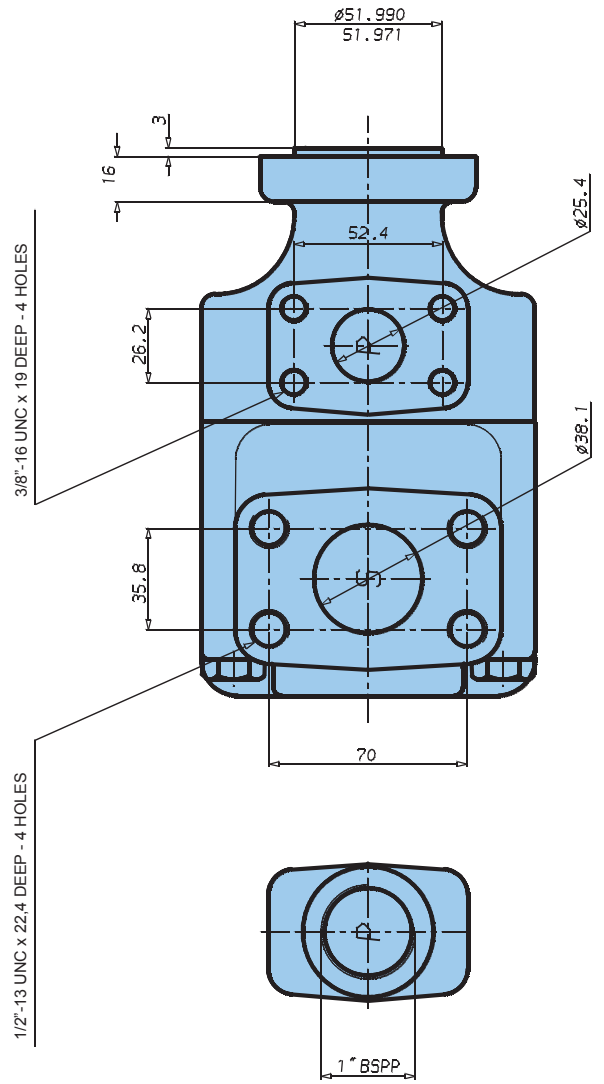
Weight 18.0 kg



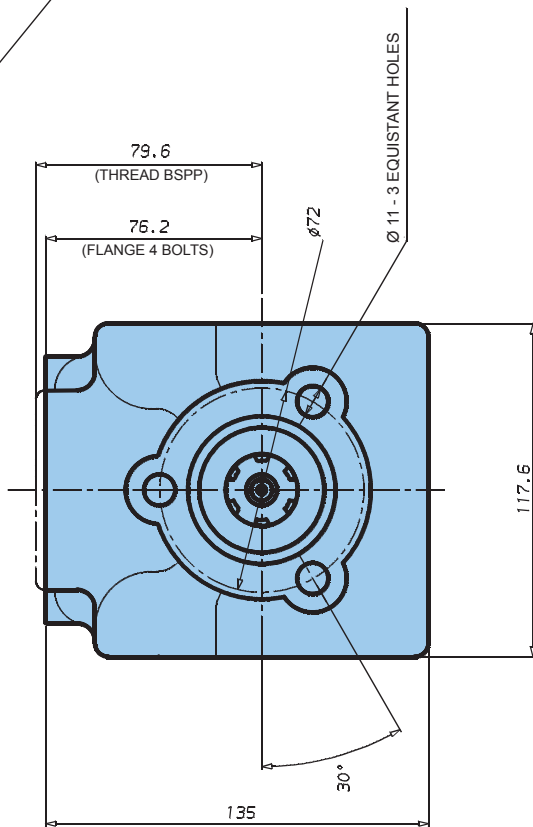
Weight 14.1 kg



**Shaft Code 6**  
(DIN 5463 B6-21-25)



MOUNTING TORQUE: 159 Nm





# DTA

Damen Technical Agencies

# ANY PART TIME WHERE

we are doing our parts to keep you moving!

**Damen Technical Agencies B.V.**

Prins Willemstraat 10 - 4791 JR Klundert - The Netherlands

+31 - 168 - 407 144

info@vanepump.eu - vanepump.eu - dta.eu



# DTA

Damen Technical Agencies