

# Hydraulic Motors M5\* Series

Denison Vane Technology, fixed displacement



ENGINEERING YOUR SUCCESS.

**Ordering code**

**M5B - M5BS model description**

**Model No.** M5BS - 036 - 1 R 02 - B 1 M - 0 0 M 28

**M5B series** - ISO 3019-2

Mounting flange 100 A2/B4 HW

**M5BS series**

SAE B 2/4 -bolts mounting flange J744

**Cam ring**

Volumetric displacement (ml/rev)

012 = 12,5                      028 = 28,0

018 = 18,0                      036 = 36,0

023 = 23,0                      045 = 45,0

**Type of shaft**

- 1 = Keyed (SAE B)
- 2 = Keyed (ISO E25M)
- 3 = Splined (SAE B)
- 4 = Splined (SAE BB)

**Direction of rotation (shaft end view)**

- R = Clockwise (with anti-cavitation check valve)
- L = Counter-clockwise (with anti-cavitation check valve)
- N = Bi-rotational (without any anti-cavitation check valve)

**End cap type** (See table)

Motor with side ports : 01, 02, 03, 04

**Design letter**

**Seal class**

- 1 = S1 BUNA N
- 5 = S5 - VITON®

**Max pressure setting value**

- 00 = For motor without pressure valve
- 21 = Valve set at 210 bar
- 28 = Valve set at 280 bar
- \*\* Customised value (please consult Parker)

**Pressure valve type**

- 0 = Without pressure valve
- P = Proportional valve
- M = Mechanical valve

**Option**

- 0 = No option
- A = Anti-starve valve (only with end cap M & 0)
- R = Reverse valve (only Y and W)

**Connection variables**

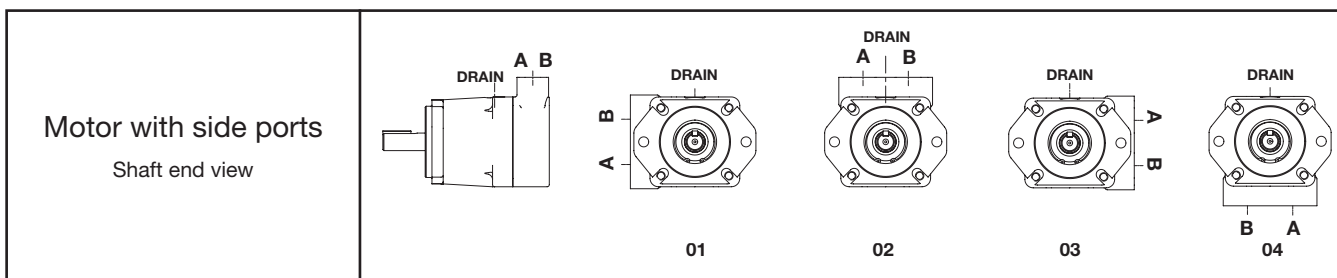
M5B - M5BS uni-rotational and bi-rotational series		
Code	A & B ports	Drain port
M	4 bolts SAE flange 3/4" with metric threads	Metric threaded port M18 x 1,5
Y	Metric threaded port M27 x 2	Metric threaded port M18 x 1,5

M5BS uni-rotational and bi-rotational series		
Code	A & B ports	Drain port
0	4 bolts SAE flange 3/4" with UNC threads	UNF threaded port SAE 6
W	UNF threaded port SAE 12	UNF threaded port SAE 6

M5B - M5BS reverse valve option			
Code	A port	B port	Drain port
Y	Metric threaded port M27 x 2	Metric threaded port M33 x 2	Metric threaded port M18 x 1,5

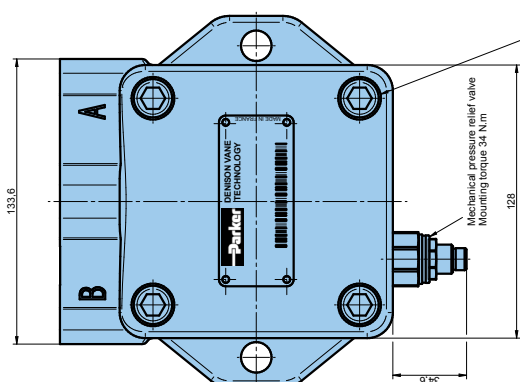
M5BS reverse valve option			
Code	A port	B port	Drain port
W	UNF threaded port SAE 12	UNF threaded port SAE 16	UNF threaded port SAE 6

**Position of the ports (Rotation way see page 21)**

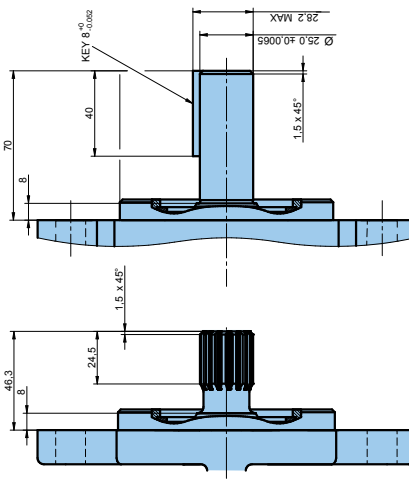


M5B - M5BS motor

Weight : 18,5 kg



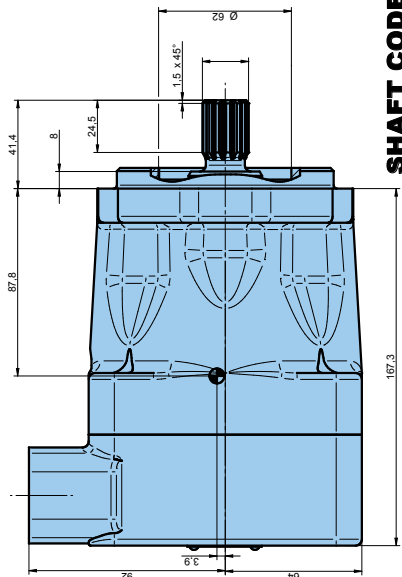
MOUNTING TORQUE 100 N.m



**SHAFT CODE 2**  
KEYED ISO 3019/2 E2M

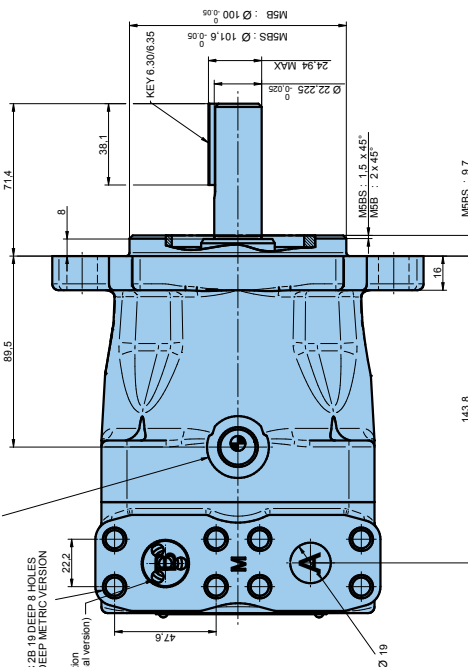
**SHAFT CODE 4**  
SAE BB INVOLUTE SPLINE DATA  
CLASS 8H8 - PITCH 180/2  
15 TEETH - 30° PRESSURE ANGLE

☉ Centre of gravity (bi-rotational version)



**SHAFT CODE 3**

SAE B INVOLUTE SPLINE DATA  
CLASS 1-FLAT ROOT SIDE FIT  
J4889 - PITCH 16/32  
13 TEETH - 30° PRESSURE ANGLE

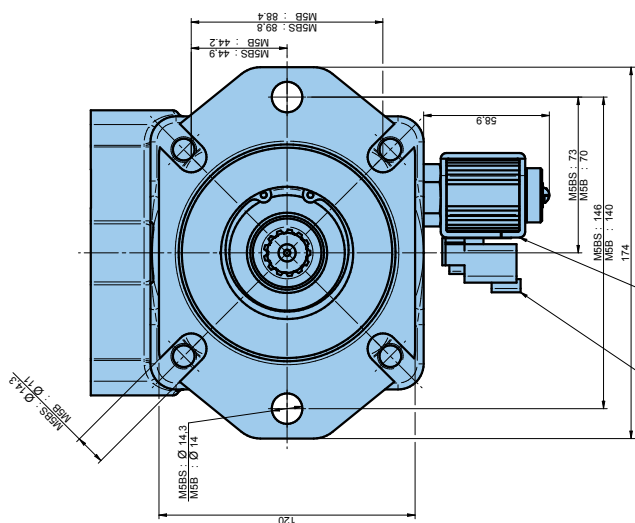


**SHAFT CODE 1**  
KEYED SAE-B

THREADED DRAIN PORT  
MBS : Y & M : M18 x 1.5 (ISO 6149)  
MBS : Y & M : SAE 10 (SAE 6149)  
MBS : Y & M : M16 x 1.0 (ISO 6149)

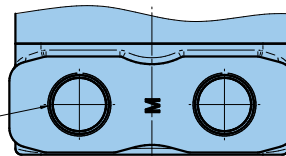
0 : 3/8" 16 UNC 2B 19 DEEP 8 HOLES  
M : M10 x 19 DEEP METRIC VERSION  
Anti-strike valve option  
(only for unidirectional version)

MBS : W : SAE 12 (SAE J19287)  
MBS : Y : M27 x 2 (ISO 6149)



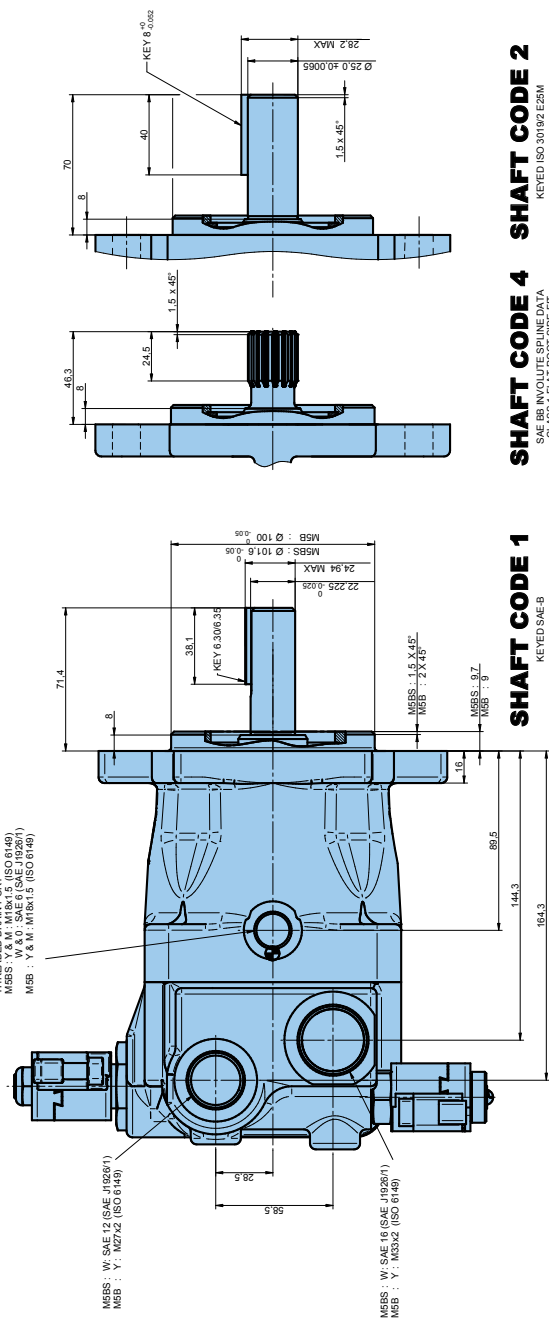
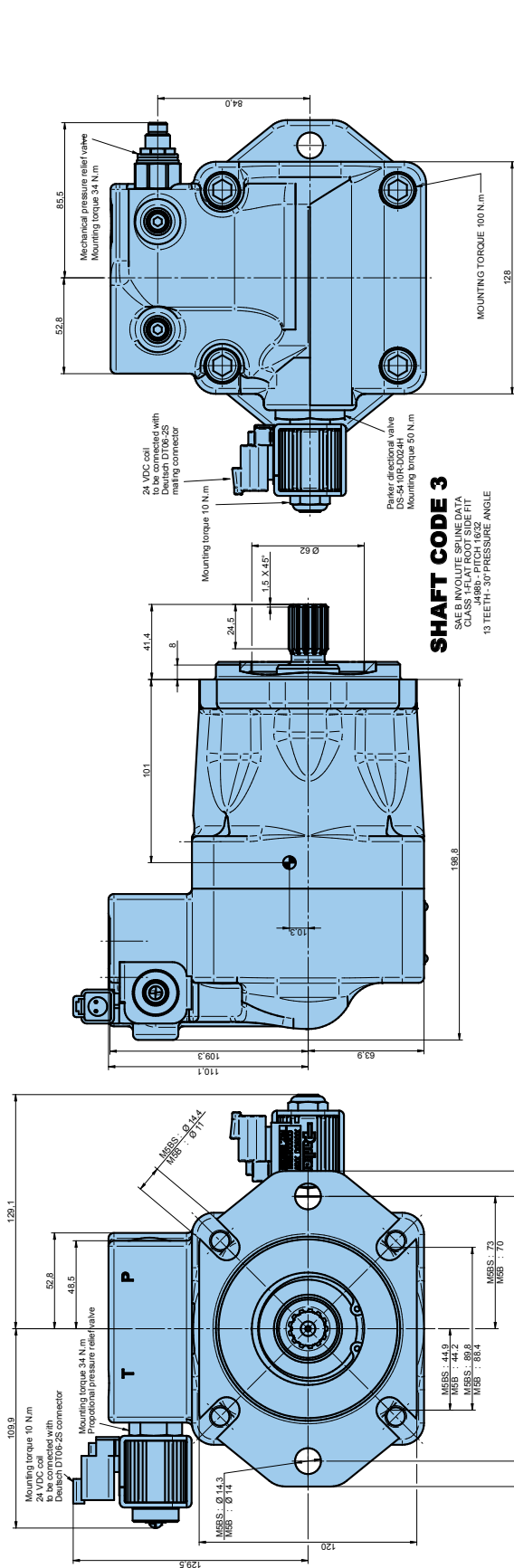
24 VDC coil  
Proportional pressure relief valve  
Mounting torque 34 N.m

MBS : W : SAE 12 (SAE J19287)  
MBS : Y : M27 x 2 (ISO 6149)



M5B - M5BS motor with reverse valve option

Weight : 21,6 kg



Centre of gravity (bi-rotational version)

# Parker Worldwide

## Europe, Middle East, Africa

**AE – United Arab Emirates,**  
Dubai

Tel: +971 4 8127100  
parker.me@parker.com

**AT – Austria,** Wiener Neustadt  
Tel: +43 (0)2622 23501-0  
parker.austria@parker.com

**AT – Eastern Europe,** Wiener  
Neustadt  
Tel: +43 (0)2622 23501 900  
parker.easteurope@parker.com

**AZ – Azerbaijan,** Baku  
Tel: +994 50 22 33 458  
parker.azerbaijan@parker.com

**BE/LU – Belgium,** Nivelles  
Tel: +32 (0)67 280 900  
parker.belgium@parker.com

**BG – Bulgaria,** Sofia  
Tel: +359 2 980 1344  
parker.bulgaria@parker.com

**BY – Belarus,** Minsk  
Tel: +48 (0)22 573 24 00  
parker.poland@parker.com

**CH – Switzerland,** Etoy  
Tel: +41 (0)21 821 87 00  
parker.switzerland@parker.com

**CZ – Czech Republic,** Klecany  
Tel: +420 284 083 111  
parker.czechrepublic@parker.com

**DE – Germany,** Kaarst  
Tel: +49 (0)2131 4016 0  
parker.germany@parker.com

**DK – Denmark,** Ballerup  
Tel: +45 43 56 04 00  
parker.denmark@parker.com

**ES – Spain,** Madrid  
Tel: +34 902 330 001  
parker.spain@parker.com

**FI – Finland,** Vantaa  
Tel: +358 (0)20 753 2500  
parker.finland@parker.com

**FR – France,** Contamine s/Arve  
Tel: +33 (0)4 50 25 80 25  
parker.france@parker.com

**GR – Greece,** Athens  
Tel: +30 210 933 6450  
parker.greece@parker.com

**HU – Hungary,** Budaörs  
Tel: +36 23 885 470  
parker.hungary@parker.com

**IE – Ireland,** Dublin  
Tel: +353 (0)1 466 6370  
parker.ireland@parker.com

**IT – Italy,** Corsico (MI)  
Tel: +39 02 45 19 21  
parker.italy@parker.com

**KZ – Kazakhstan,** Almaty  
Tel: +7 7273 561 000  
parker.easteurope@parker.com

**NL – The Netherlands,** Oldenzaal  
Tel: +31 (0)541 585 000  
parker.nl@parker.com

**NO – Norway,** Asker  
Tel: +47 66 75 34 00  
parker.norway@parker.com

**PL – Poland,** Warsaw  
Tel: +48 (0)22 573 24 00  
parker.poland@parker.com

**PT – Portugal**  
Tel: +351 22 999 7360  
parker.portugal@parker.com

**RO – Romania,** Bucharest  
Tel: +40 21 252 1382  
parker.romania@parker.com

**RU – Russia,** Moscow  
Tel: +7 495 645-2156  
parker.russia@parker.com

**SE – Sweden,** Spånga  
Tel: +46 (0)8 59 79 50 00  
parker.sweden@parker.com

**SK – Slovakia,** Banská Bystrica  
Tel: +421 484 162 252  
parker.slovakia@parker.com

**SL – Slovenia,** Novo Mesto  
Tel: +386 7 337 6650  
parker.slovenia@parker.com

**TR – Turkey,** Istanbul  
Tel: +90 216 4997081  
parker.turkey@parker.com

**UA – Ukraine,** Kiev  
Tel: +48 (0)22 573 24 00  
parker.poland@parker.com

**UK – United Kingdom,** Warwick  
Tel: +44 (0)1926 317 878  
parker.uk@parker.com

**ZA – South Africa,** Kempton Park  
Tel: +27 (0)11 961 0700  
parker.southafrica@parker.com

## North America

**CA – Canada,** Milton, Ontario  
Tel: +1 905 693 3000

**US – USA,** Cleveland  
(industrial)  
Tel: +1 216 896 3000

**US – USA,** Elk Grove Village  
(mobile)  
Tel: +1 847 258 6200

## Asia Pacific

**AU – Australia,** Castle Hill  
Tel: +61 (0)2-9634 7777

**CN – China,** Shanghai  
Tel: +86 21 2899 5000

**HK – Hong Kong**  
Tel: +852 2428 8008

**ID – Indonesia,** Tangerang  
Tel: +62 21 7588 1906

**IN – India,** Mumbai  
Tel: +91 22 6513 7081-85

**JP – Japan,** Fujisawa  
Tel: +81 (0)4 6635 3050

**KR – South Korea,** Seoul  
Tel: +82 2 559 0400

**MY – Malaysia,** Shah Alam  
Tel: +60 3 7849 0800

**NZ – New Zealand,** Mt Wellington  
Tel: +64 9 574 1744

**SG – Singapore**  
Tel: +65 6887 6300

**TH – Thailand,** Bangkok  
Tel: +662 186 7000

**TW – Taiwan,** New Taipei City  
Tel: +886 2 2298 8987

**VN – Vietnam,** Ho Chi Minh City  
Tel: +84 8 3999 1600

## South America

**AR – Argentina,** Buenos Aires  
Tel: +54 3327 44 4129

**BR – Brazil,** Cachoeirinha RS  
Tel: +55 51 3470 9144

**CL – Chile,** Santiago  
Tel: +56 2 623 1216

**MX – Mexico,** Toluca  
Tel: +52 72 2275 4200



### EMEA Product Information Centre

Free phone: 00 800 27 27 5374

(from AT, BE, CH, CZ, DE, DK, EE, ES, FI, FR, IE, IL,  
IS, IT, LU, MT, NL, NO, PL, PT, RU, SE, SK, UK, ZA)

### US Product Information Centre

Toll-free number: 1-800-27 27 537

www.parker.com

Your local authorized Parker distributor