

# Hydraulic Motors - Service Information

## M5AF

Denison Vane Technology



ENGINEERING YOUR SUCCESS.

Model description

Model No. **M5AF - 018 - 1 R 02 - B 1 M - 0 0 P 21**

**M5AF series**  
2-bolts mounting flange, pilot Ø 120,0

**Cam ring**  
Volumetric displacement (ml/rev)  
006 = 6,3            018 = 18,0  
010 = 10,0        023 = 23,0  
012 = 12,5        025 = 25,0  
016 = 16,0

**Type of shaft**  
1 = Taper (non SAE)  
2 = Keyed (non SAE)

**Direction of rotation (shaft end view)**  
R = Clockwise (with anti-cavitation check valve)  
L = Counter-clockwise (with anti-cavitation check valve)  
N = Bi-rotational (without any anti-cavitation check valve)

**End cap type** (See table)  
Motor with side ports : 01, 02, 03, 04

**Design letter**

**Seal class**  
1 = S1 BUNA N  
5 = S5 - VITON®

**Max pressure setting value**  
00 = For motor without pressure valve  
21 = Valve set at 210 bar  
28 = Valve set at 280 bar  
\*\* Customised value (please consult Parker)

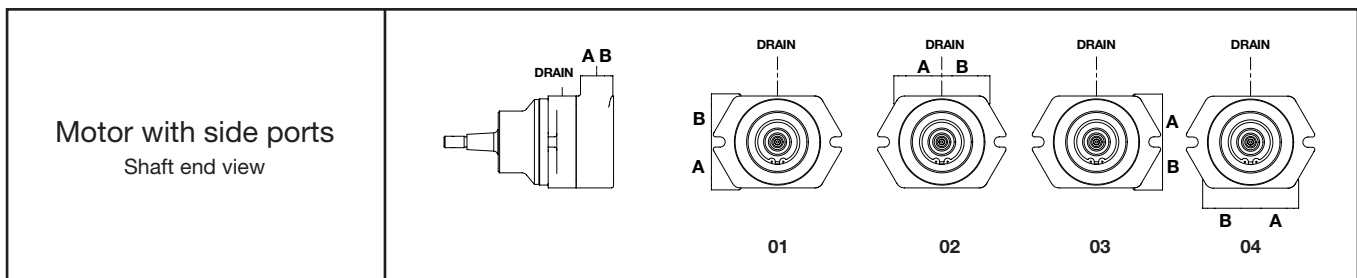
**Pressure valve type**  
0 = Without pressure valve  
P = Proportional valve  
M = Mechanical valve

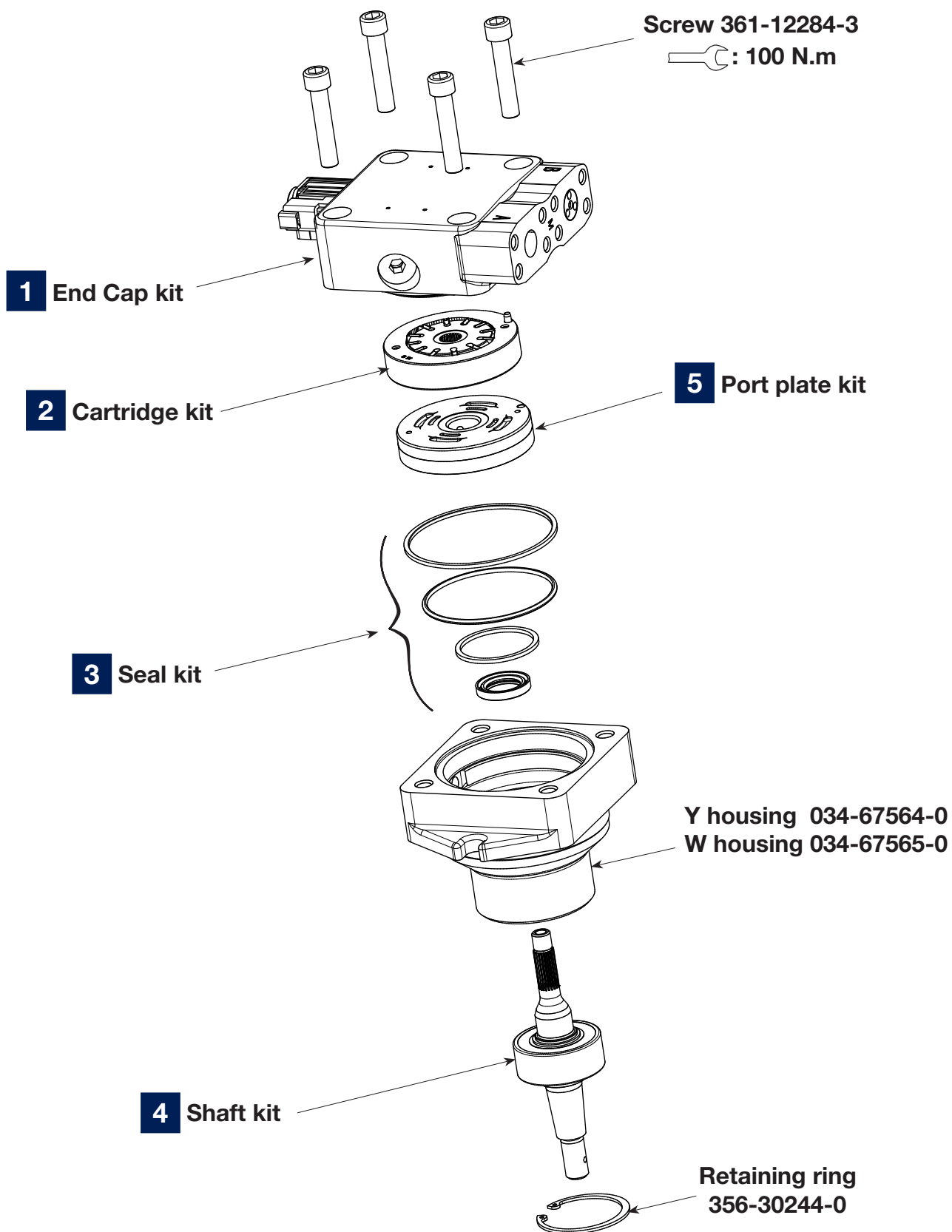
**Option**  
0 = No option  
A = Anti-starve valve (only with end cap M & 0)

**Connection variables**

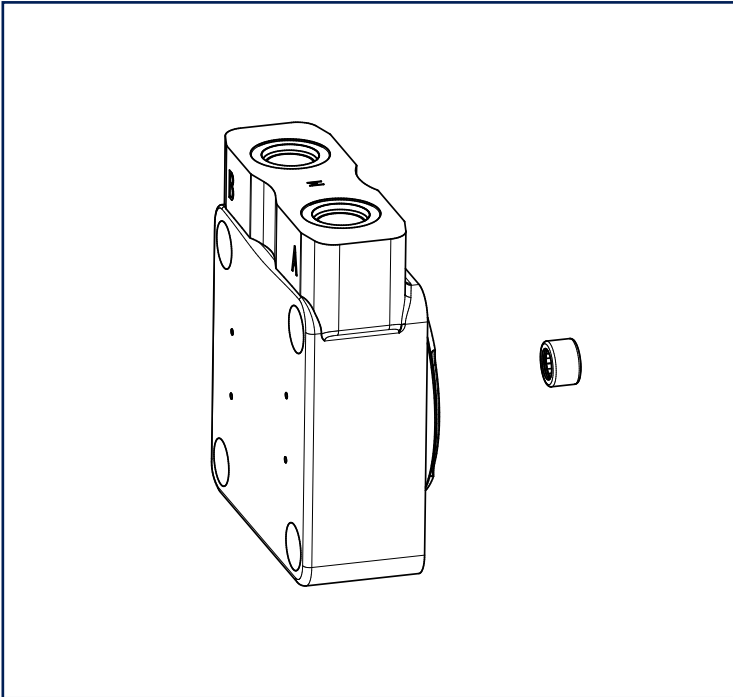
Uni-rotational and bi-rotational series		
Code	A & B ports	Drain port
M	4 bolts SAE flange 3/4" with metric threads	Metric threaded port M12 x 1,5
0	4 bolts SAE flange 3/4" with UNC threads	UNF threaded port SAE 6
Y	Metric threaded port M22 x 1,5	Metric threaded port M12 x 1,5
W	UNF threaded port SAE 12	UNF threaded port SAE 6

Position of the ports

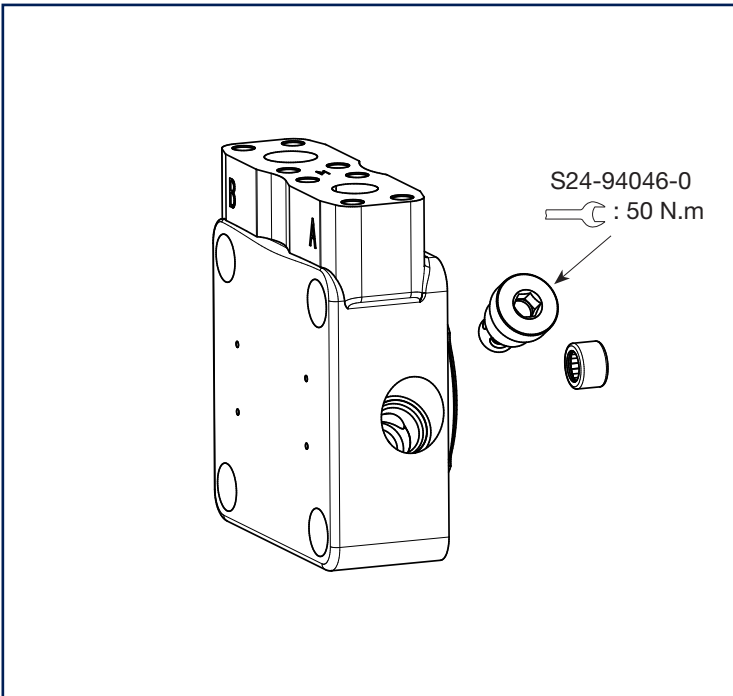




**1** End cap kit / Side ports

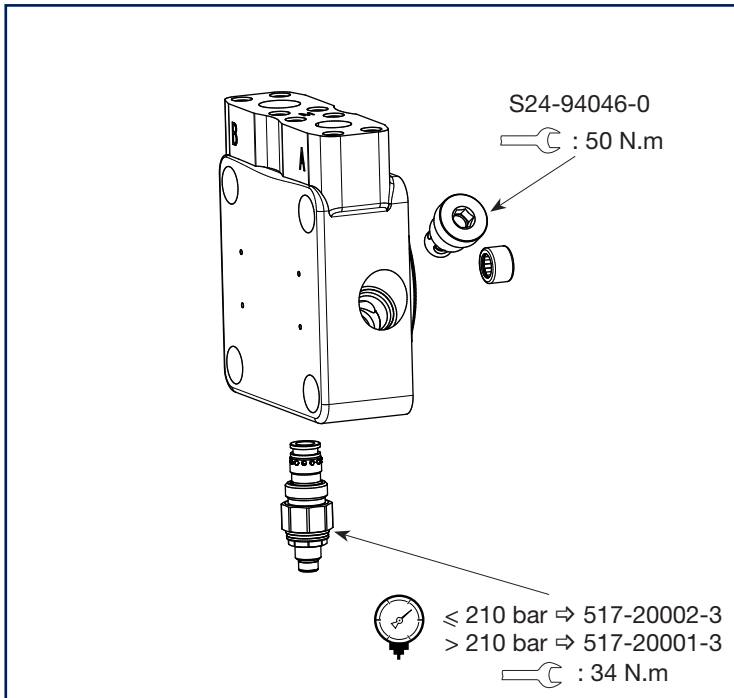


End cap kit	Code N°
M5AF - *** - * N 0* - ** M - 0 0 0 0 0	S24-77235-0
M5AF - *** - * N 0* - ** 0 - 0 0 0 0 0	S24-77233-0
M5AF - *** - * N 0* - ** Y - 0 0 0 0 0	S24-77239-0
M5AF - *** - * N 0* - ** W - 0 0 0 0 0	S24-77237-0

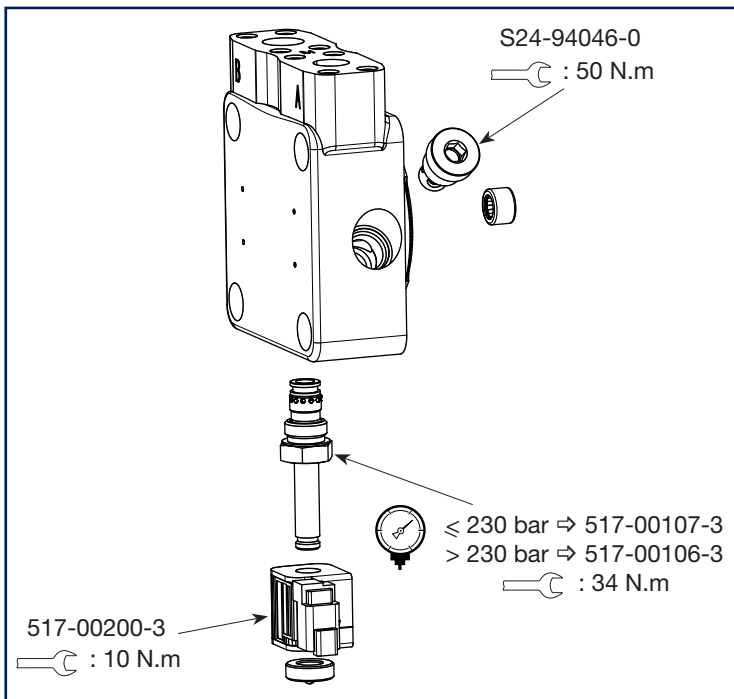
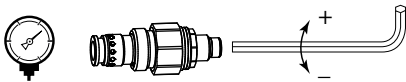


End cap kit	Code N°
M5AF - *** - * R 0* - ** M - 0 0 0 0 0	S54-35187-0
M5AF - *** - * L 0* - ** M - 0 0 0 0 0	
M5AF - *** - * R 0* - ** 0 - 0 0 0 0 0	S54-35016-0
M5AF - *** - * L 0* - ** 0 - 0 0 0 0 0	
M5AF - *** - * R 0* - ** Y - 0 0 0 0 0	S54-35189-0
M5AF - *** - * L 0* - ** Y - 0 0 0 0 0	
M5AF - *** - * R 0* - ** W - 0 0 0 0 0	S54-35188-0
M5AF - *** - * L 0* - ** W - 0 0 0 0 0	

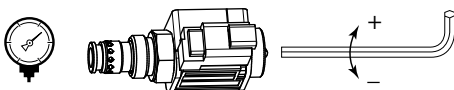
**1 End cap kit / Side ports / Pressure valves**



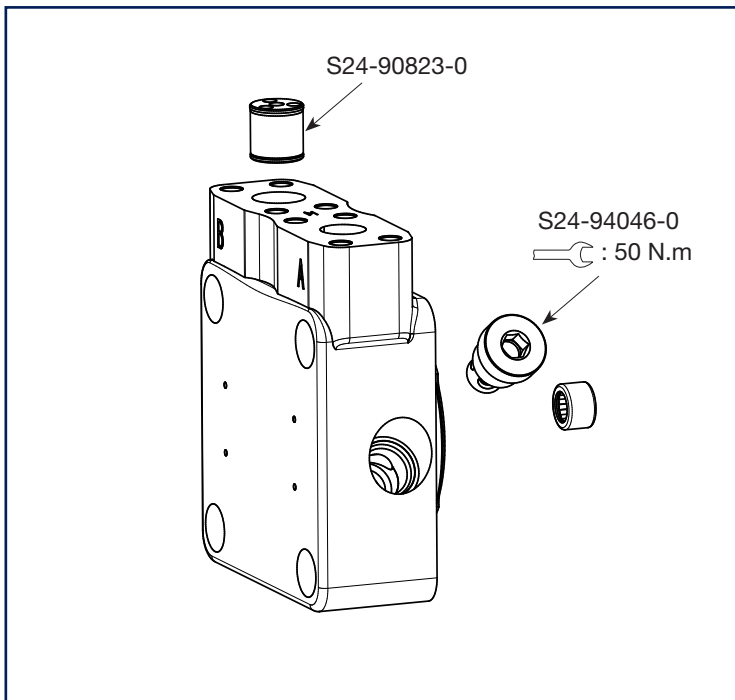
End cap kit	Code N°
M5AF - *** - * R 0* - ** M - 0 0 M 21	On request
M5AF - *** - * L 0* - ** M - 0 0 M 21	
M5AF - *** - * R 0* - ** M - 0 0 M 28	On request
M5AF - *** - * L 0* - ** M - 0 0 M 28	
M5AF - *** - * R 0* - ** 0 - 0 0 M 21	On request
M5AF - *** - * L 0* - ** 0 - 0 0 M 21	
M5AF - *** - * R 0* - ** 0 - 0 0 M 28	On request
M5AF - *** - * L 0* - ** 0 - 0 0 M 28	
M5AF - *** - * R 0* - ** Y - 0 0 M 21	On request
M5AF - *** - * L 0* - ** Y - 0 0 M 21	
M5AF - *** - * R 0* - ** Y - 0 0 M 28	On request
M5AF - *** - * L 0* - ** Y - 0 0 M 28	
M5AF - *** - * R 0* - ** W - 0 0 M 21	On request
M5AF - *** - * L 0* - ** W - 0 0 M 21	
M5AF - *** - * R 0* - ** W - 0 0 M 28	On request
M5AF - *** - * L 0* - ** W - 0 0 M 28	



End cap kit	Code N°
M5AF - *** - * R 0* - ** M - 0 0 P 21	S54-35190-0
M5AF - *** - * L 0* - ** M - 0 0 P 21	
M5AF - *** - * R 0* - ** M - 0 0 P 28	On request
M5AF - *** - * L 0* - ** M - 0 0 P 28	
M5AF - *** - * R 0* - ** 0 - 0 0 P 21	On request
M5AF - *** - * L 0* - ** 0 - 0 0 P 21	
M5AF - *** - * R 0* - ** 0 - 0 0 P 28	On request
M5AF - *** - * L 0* - ** 0 - 0 0 P 28	
M5AF - *** - * R 0* - ** Y - 0 0 P 21	S54-38402-0
M5AF - *** - * L 0* - ** Y - 0 0 P 21	
M5AF - *** - * R 0* - ** Y - 0 0 P 28	On request
M5AF - *** - * L 0* - ** Y - 0 0 P 28	
M5AF - *** - * R 0* - ** W - 0 0 P 21	On request
M5AF - *** - * L 0* - ** W - 0 0 P 21	
M5AF - *** - * R 0* - ** W - 0 0 P 28	On request
M5AF - *** - * L 0* - ** W - 0 0 P 28	

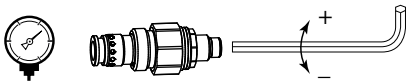
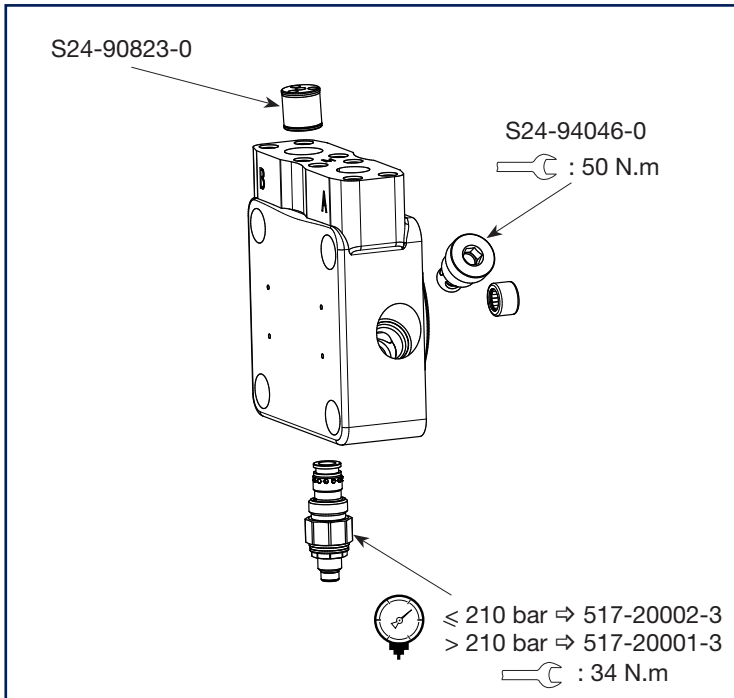


**1** End cap kit / Side ports / Anti-starve valve

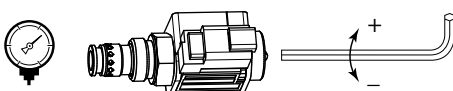
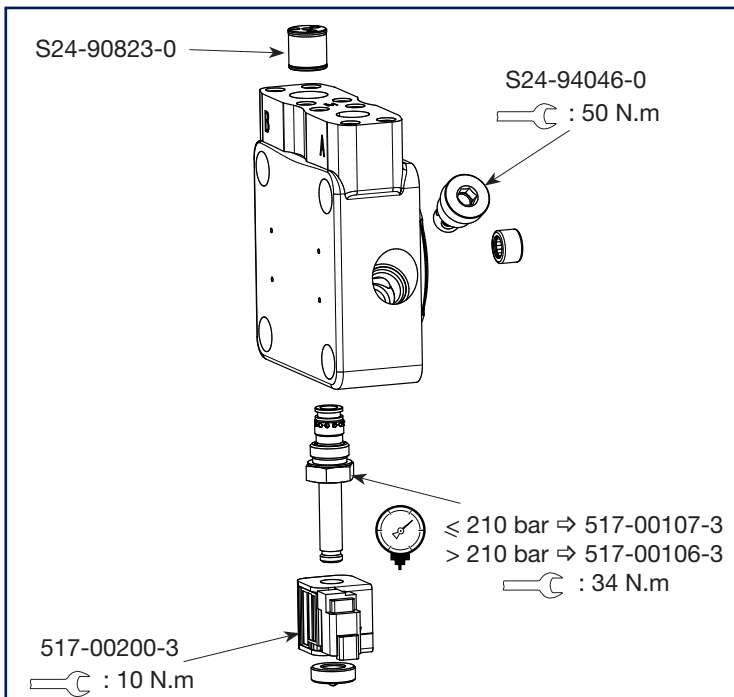


End cap Kit	Part N°
M5AF - *** - * R 0* - ** M - 0 A 0 0 0	On request
M5AF - *** - * L 0* - ** M - 0 A 0 0 0	
M5AF - *** - * R 0* - ** 0 - 0 A 0 0 0	On request
M5AF - *** - * L 0* - ** 0 - 0 A 0 0 0	

**1 End cap kit / Side ports / Anti-starve valve / Pressure valves**

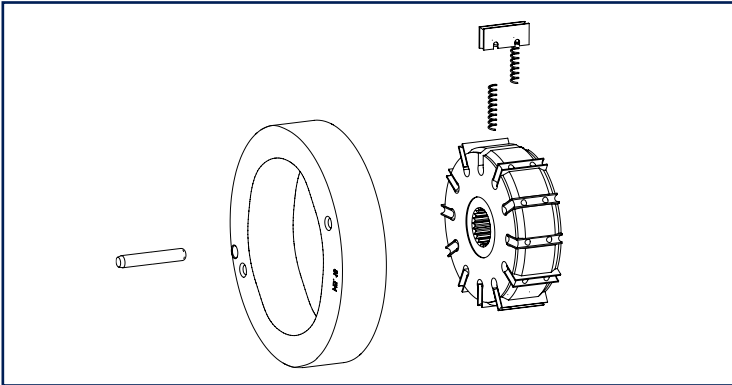


End cap Kit	Part N°
M5AF - *** - * R 0* - ** M - 0 A M 21	S54-35072-0
M5AF - *** - * L 0* - ** M - 0 A M 21	
M5AF - *** - * R 0* - ** M - 0 A M 28	S54-34179-0
M5AF - *** - * L 0* - ** M - 0 A M 28	
M5AF - *** - * R 0* - ** 0 - 0 A M 21	On request
M5AF - *** - * L 0* - ** 0 - 0 A M 21	
M5AF - *** - * R 0* - ** 0 - 0 A M 28	On request
M5AF - *** - * L 0* - ** 0 - 0 A M 28	



End cap Kit	Part N°
M5AF - *** - * R 0* - ** M - 0 A P 21	S54-37431-0
M5AF - *** - * L 0* - ** M - 0 A P 21	
M5AF - *** - * R 0* - ** M - 0 A P 28	S54-35923-0
M5AF - *** - * L 0* - ** M - 0 A P 28	
M5AF - *** - * R 0* - ** 0 - 0 A P 21	On request
M5AF - *** - * L 0* - ** 0 - 0 A P 21	
M5AF - *** - * R 0* - ** 0 - 0 A P 28	On request
M5AF - *** - * L 0* - ** 0 - 0 A P 28	

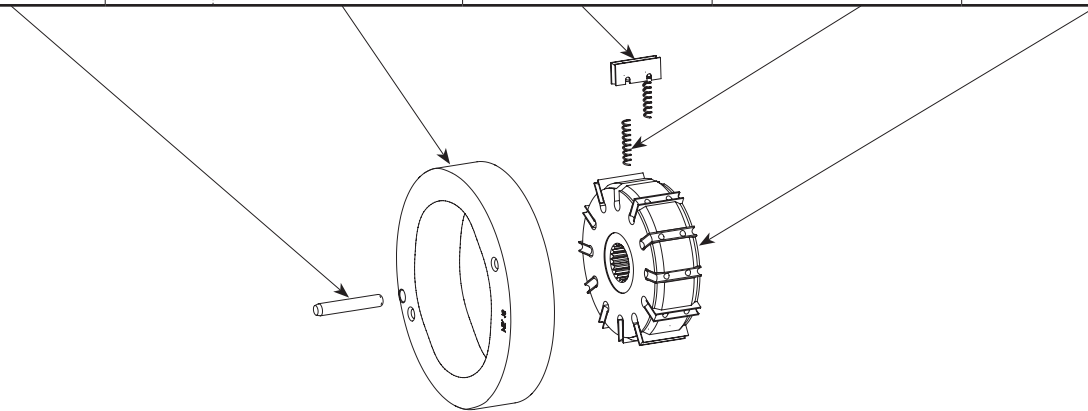
## 2 Cartridge kit (Preferred)



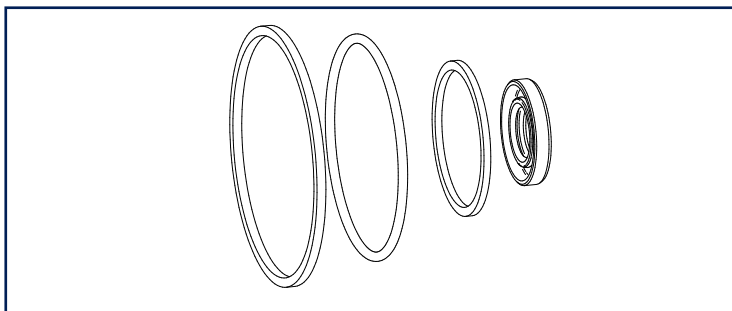
Cartridge kit	Code N°
M5AF - 006 - *** - *** - *****	S24-77200-0
M5AF - 010 - *** - *** - *****	S24-77201-0
M5AF - 012 - *** - *** - *****	S24-77202-0
M5AF - 016 - *** - *** - *****	S24-77203-0
M5AF - 018 - *** - *** - *****	S24-77204-0
M5AF - 023 - *** - *** - *****	S24-77205-0
M5AF - 025 - *** - *** - *****	S24-77206-0

## Cartridge loose items

1 x		1 x	12 x	24 x	1 x
324-21220-0	006	034-68031-0	034-67562-0	034-67553-0	034-67552-0
	010	034-68032-0			
	012	034-68033-0			
	016	034-68034-0			
	018	034-68035-0			
	023	034-68036-0			
	025	034-68037-0			



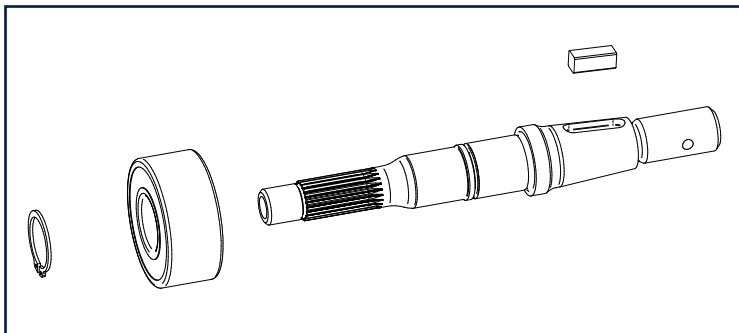
## 3 Seal kit



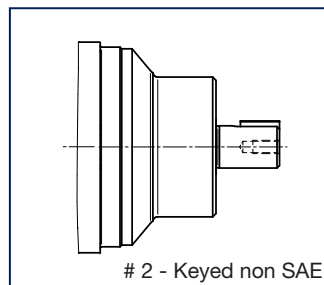
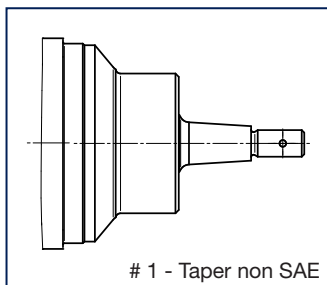
Seal kit	Code N°
M5AF - *** - *** - * 1 * - *****	S24-94579-0
M5AF - *** - *** - * 5 * - *****	S24-63498-5



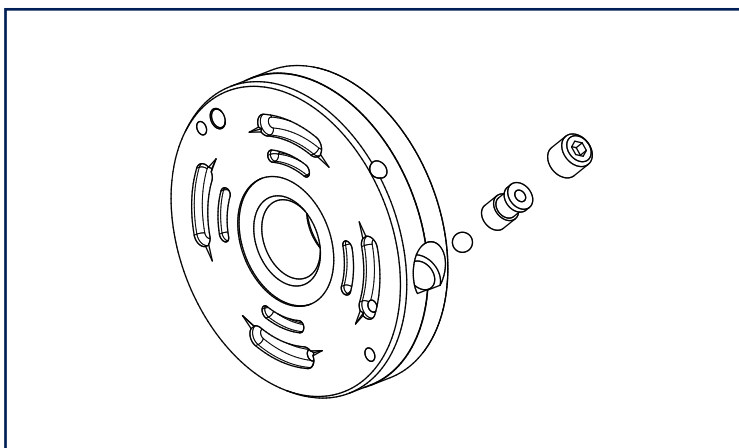
**4 Shaft kit**



Shaft kit	Code N°
M5AF - *** - <b>1</b> *** - *** - *****	S24-77191-0
M5AF - *** - <b>2</b> *** - *** - *****	S24-77192-0



**5 Port plate kit**



Port plate kit	Code N°
M5AF - *** - ***** - *** - *****	S24-77190-0





## **WARNING – USER RESPONSIBILITY**

**FAILURE OR IMPROPER SELECTION OR IMPROPER USE OF THE PRODUCTS DESCRIBED HEREIN OR RELATED ITEMS CAN CAUSE DEATH, PERSONAL INJURY AND PROPERTY DAMAGE.**

This document and other information from Parker-Hannifin Corporation, its subsidiaries and authorized distributors provide product or system options for further investigation by users having technical expertise.

The user, through its own analysis and testing, is solely responsible for making the final selection of the system and components and assuring that all performance, endurance, maintenance, safety and warning requirements of the application are met. The user must analyze all aspects of the application, follow applicable industry standards, and follow the information concerning the product in the current product catalog and in any other materials provided from Parker or its subsidiaries or authorized distributors.

To the extent that Parker or its subsidiaries or authorized distributors provide component or system options based upon data or specifications provided by the user, the user is responsible for determining that such data and specifications are suitable and sufficient for all applications and reasonably foreseeable uses of the components or systems.

## **Offer of Sale**

Please contact your Parker representation for a detailed "Offer of Sale".

# Parker Worldwide

## Europe, Middle East, Africa

**AE – United Arab Emirates,**  
Dubai

Tel: +971 4 8127100  
parker.me@parker.com

**AT – Austria,** Wiener Neustadt  
Tel: +43 (0)2622 23501-0  
parker.austria@parker.com

**AT – Eastern Europe,** Wiener  
Neustadt  
Tel: +43 (0)2622 23501 900  
parker.easteurope@parker.com

**AZ – Azerbaijan,** Baku  
Tel: +994 50 22 33 458  
parker.azerbaijan@parker.com

**BE/LU – Belgium,** Nivelles  
Tel: +32 (0)67 280 900  
parker.belgium@parker.com

**BG – Bulgaria,** Sofia  
Tel: +359 2 980 1344  
parker.bulgaria@parker.com

**BY – Belarus,** Minsk  
Tel: +48 (0)22 573 24 00  
parker.poland@parker.com

**CH – Switzerland,** Etoy  
Tel: +41 (0)21 821 87 00  
parker.switzerland@parker.com

**CZ – Czech Republic,** Klecany  
Tel: +420 284 083 111  
parker.czechrepublic@parker.com

**DE – Germany,** Kaarst  
Tel: +49 (0)2131 4016 0  
parker.germany@parker.com

**DK – Denmark,** Ballerup  
Tel: +45 43 56 04 00  
parker.denmark@parker.com

**ES – Spain,** Madrid  
Tel: +34 902 330 001  
parker.spain@parker.com

**FI – Finland,** Vantaa  
Tel: +358 (0)20 753 2500  
parker.finland@parker.com

**FR – France,** Contamine s/Arve  
Tel: +33 (0)4 50 25 80 25  
parker.france@parker.com

**GR – Greece,** Athens  
Tel: +30 210 933 6450  
parker.greece@parker.com

**HU – Hungary,** Budaoers  
Tel: +36 23 885 470  
parker.hungary@parker.com

**IE – Ireland,** Dublin  
Tel: +353 (0)1 466 6370  
parker.ireland@parker.com

**IT – Italy,** Corsico (MI)  
Tel: +39 02 45 19 21  
parker.italy@parker.com

**KZ – Kazakhstan,** Almaty  
Tel: +7 7273 561 000  
parker.easteurope@parker.com

**NL – The Netherlands,** Oldenzaal  
Tel: +31 (0)541 585 000  
parker.nl@parker.com

**NO – Norway,** Asker  
Tel: +47 66 75 34 00  
parker.norway@parker.com

**PL – Poland,** Warsaw  
Tel: +48 (0)22 573 24 00  
parker.poland@parker.com

**PT – Portugal**  
Tel: +351 22 999 7360  
parker.portugal@parker.com

**RO – Romania,** Bucharest  
Tel: +40 21 252 1382  
parker.romania@parker.com

**RU – Russia,** Moscow  
Tel: +7 495 645-2156  
parker.russia@parker.com

**SE – Sweden,** Spånga  
Tel: +46 (0)8 59 79 50 00  
parker.sweden@parker.com

**SK – Slovakia,** Banská Bystrica  
Tel: +421 484 162 252  
parker.slovakia@parker.com

**SL – Slovenia,** Novo Mesto  
Tel: +386 7 337 6650  
parker.slovenia@parker.com

**TR – Turkey,** Istanbul  
Tel: +90 216 4997081  
parker.turkey@parker.com

**UA – Ukraine,** Kiev  
Tel: +48 (0)22 573 24 00  
parker.poland@parker.com

**UK – United Kingdom,** Warwick  
Tel: +44 (0)1926 317 878  
parker.uk@parker.com

**ZA – South Africa,** Kempton Park  
Tel: +27 (0)11 961 0700  
parker.southafrica@parker.com

## North America

**CA – Canada,** Milton, Ontario  
Tel: +1 905 693 3000

**US – USA,** Cleveland  
(industrial)  
Tel: +1 216 896 3000

**US – USA,** Elk Grove Village  
(mobile)  
Tel: +1 847 258 6200

## Asia Pacific

**AU – Australia,** Castle Hill  
Tel: +61 (0)2-9634 7777

**CN – China,** Shanghai  
Tel: +86 21 2899 5000

**HK – Hong Kong**  
Tel: +852 2428 8008

**ID – Indonesia,** Tangerang  
Tel: +62 21 7588 1906

**IN – India,** Mumbai  
Tel: +91 22 6513 7081-85

**JP – Japan,** Fujisawa  
Tel: +81 (0)4 6635 3050

**KR – South Korea,** Seoul  
Tel: +82 2 559 0400

**MY – Malaysia,** Shah Alam  
Tel: +60 3 7849 0800

**NZ – New Zealand,** Mt Wellington  
Tel: +64 9 574 1744

**SG – Singapore**  
Tel: +65 6887 6300

**TH – Thailand,** Bangkok  
Tel: +662 186 7000

**TW – Taiwan,** New Taipei City  
Tel: +886 2 2298 8987

**VN – Vietnam,** Ho Chi Minh City  
Tel: +84 8 3999 1600

## South America

**AR – Argentina,** Buenos Aires  
Tel: +54 3327 44 4129

**BR – Brazil,** Cachoeirinha RS  
Tel: +55 51 3470 9144

**CL – Chile,** Santiago  
Tel: +56 2 623 1216

**MX – Mexico,** Toluca  
Tel: +52 72 2275 4200



### EMEA Product Information Centre

Free phone: 00 800 27 27 5374

(from AT, BE, CH, CZ, DE, DK, EE, ES, FI, FR, IE, IL,  
IS, IT, LU, MT, NL, NO, PL, PT, RU, SE, SK, UK, ZA)

### US Product Information Centre

Toll-free number: 1-800-27 27 537

www.parker.com

Your local authorized Parker distributor