

# Hydraulic Motors - Service Information

## M5B

Denison Vane Technology



ENGINEERING YOUR SUCCESS.

### Model description

**Model No.**      **M5B** -      **036** -      **1** **R**      **02** -      **B**      **1** **M** -      **00** **M**      **28**

**M5B series** - ISO 3019-2  
Mounting flange 100 A2/B4 HW

**Cam ring**  
Volumetric displacement (ml/rev)  
012 = 12,5            028 = 28,0  
018 = 18,0            036 = 36,0  
023 = 23,0            045 = 45,0

**Type of shaft**  
1 = Keyed (SAE B)  
2 = Keyed (ISO E25M)  
3 = Splined (SAE B)  
4 = Splined (SAE BB)

**Direction of rotation (shaft end view)**  
R = Clockwise (with anti-cavitation check valve)  
L = Counter-clockwise (with anti-cavitation check valve)  
N = Bi-rotational (without any anti-cavitation check valve)

**End cap type** (See table)  
Motor with side ports : 01, 02, 03, 04

**Design letter**

**Seal class**  
1 = S1 BUNA N  
5 = S5 - VITON®

**Max pressure setting value**  
00 = For motor without pressure valve  
21 = Valve set at 210 bar  
28 = Valve set at 280 bar  
\*\* Customised value (please consult Parker)

**Pressure valve type**  
0 = Without pressure valve  
P = Proportional valve  
M = Mechanical valve

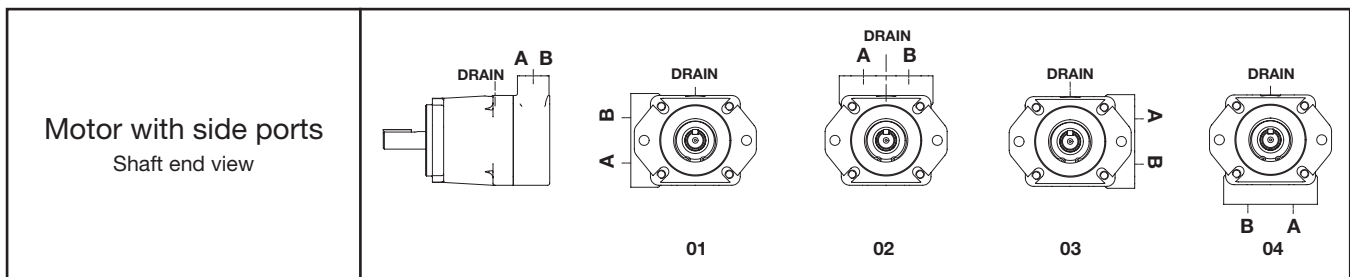
**Option**  
0 = No option  
A = Anti-starve valve (only with end cap M)  
R = Reverse valve (only Y)

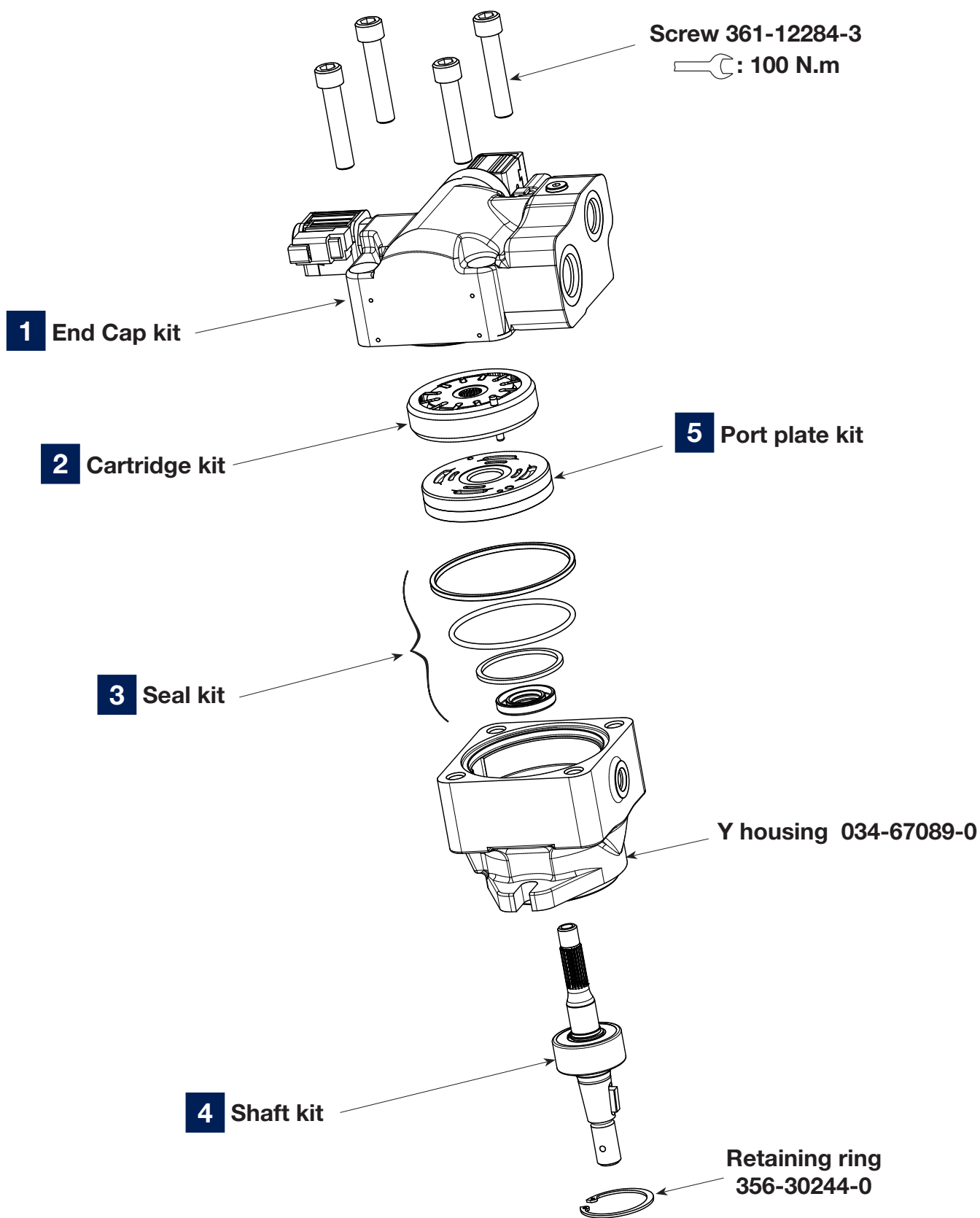
**Connection variables**

Uni-rotational and bi-rotational series		
Code	A & B ports	Drain port
M	4 bolts SAE flange 3/4" with metric threads	Metric threaded port M18 x 1,5
Y	Metric threaded port M27 x 2	Metric threaded port M18 x 1,5

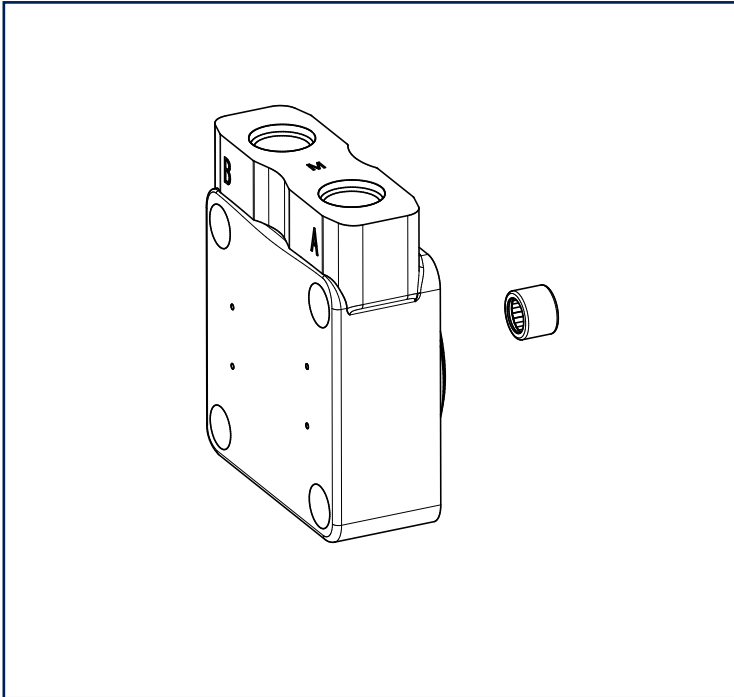
Reverse valve option			
Code	A port	B port	Drain port
Y	Metric threaded port M27 x 2	Metric threaded port M33 x 2	Metric threaded port M18 x 1,5

### Position of the ports

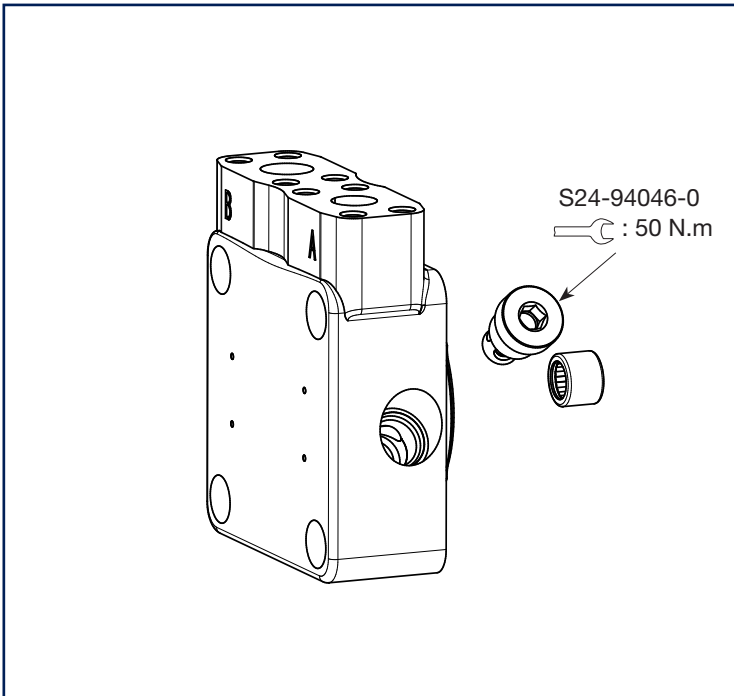




**1** End cap kit / Side ports

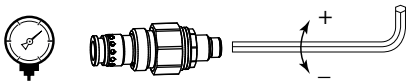
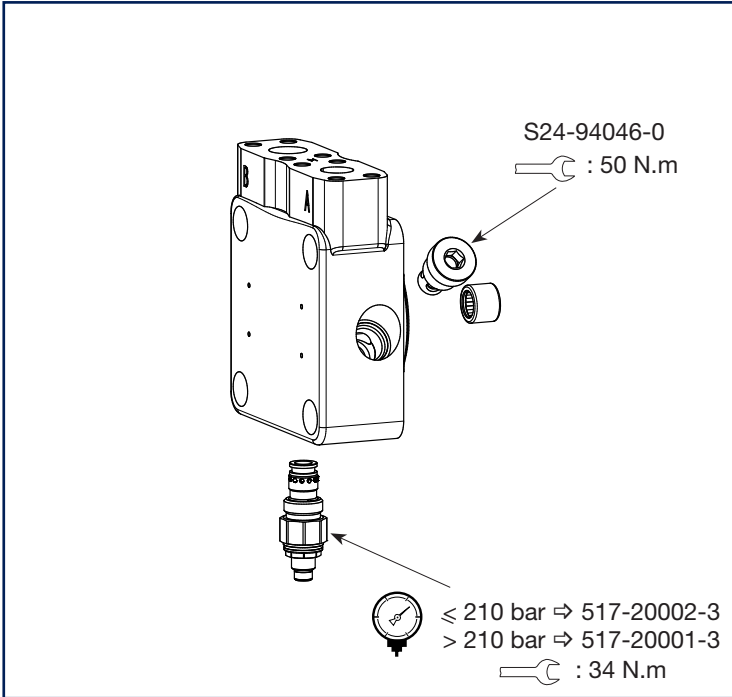


End cap kit	Code N°
M5B - *** - * N 0* - ** M - 0 0 0 0 0	S24-94093-0
M5B - *** - * N 0* - ** Y - 0 0 0 0 0	On request

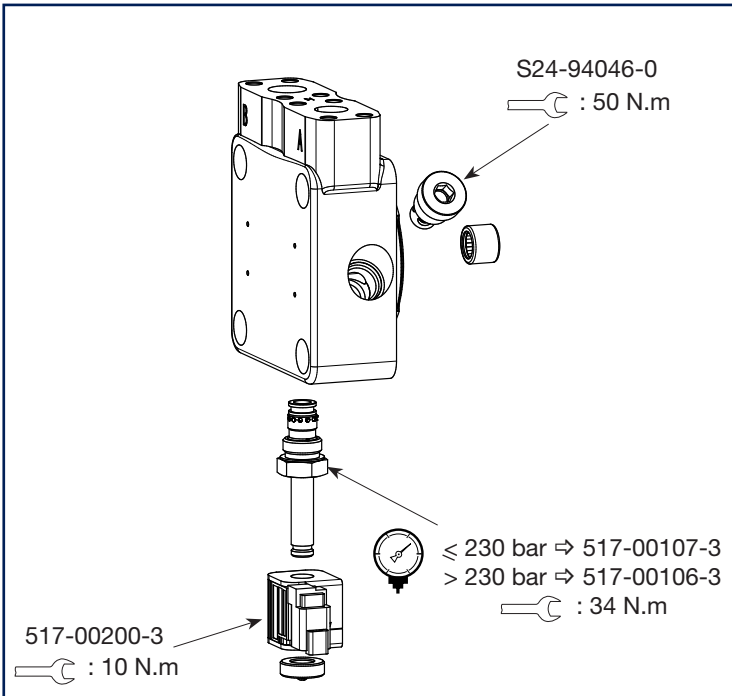


End cap kit	Code N°
M5B - *** - * R 0* - ** M - 0 0 0 0 0	S24-94095-0
M5B - *** - * L 0* - ** M - 0 0 0 0 0	
M5B - *** - * R 0* - ** Y - 0 0 0 0 0	On request
M5B - *** - * L 0* - ** Y - 0 0 0 0 0	

**1 End cap kit / Side ports / Pressure valves**

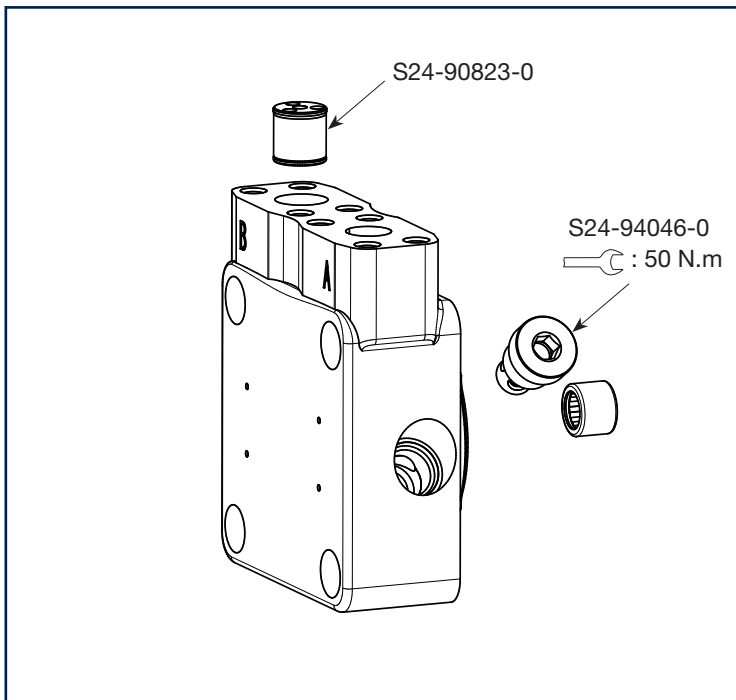


End cap kit	Code N°
M5B - *** - * R 0* - ** M - 0 0 M 21	S54-34887-0
M5B - *** - * L 0* - ** M - 0 0 M 21	
M5B - *** - * R 0* - ** M - 0 0 M 28	On request
M5B - *** - * L 0* - ** M - 0 0 M 28	
M5B - *** - * R 0* - ** Y - 0 0 M 21	On request
M5B - *** - * L 0* - ** Y - 0 0 M 21	
M5B - *** - * R 0* - ** Y - 0 0 M 28	On request
M5B - *** - * L 0* - ** Y - 0 0 M 28	



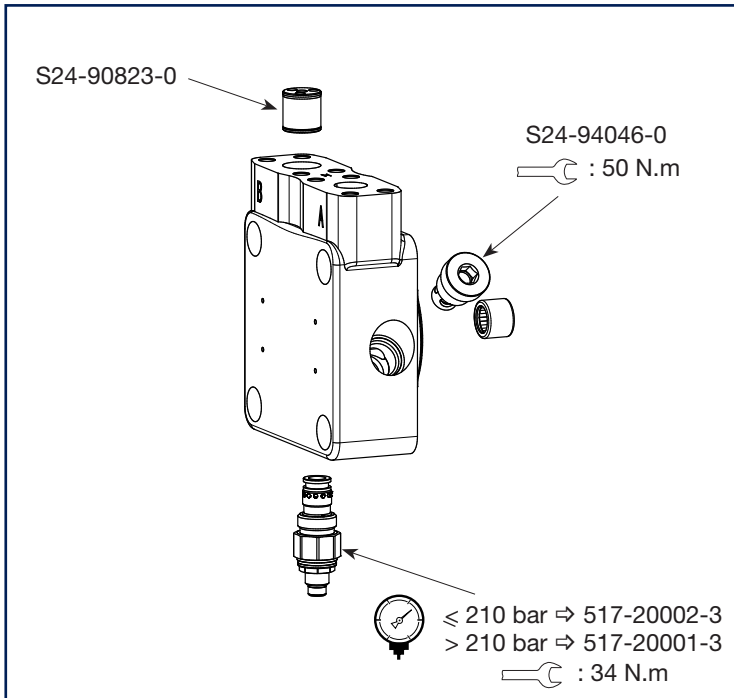
End cap kit	Code N°
M5B - *** - * R 0* - ** M - 0 0 P 21	On request
M5B - *** - * L 0* - ** M - 0 0 P 21	
M5B - *** - * R 0* - ** M - 0 0 P 28	On request
M5B - *** - * L 0* - ** M - 0 0 P 28	
M5B - *** - * R 0* - ** Y - 0 0 P 21	On request
M5B - *** - * L 0* - ** Y - 0 0 P 21	
M5B - *** - * R 0* - ** Y - 0 0 P 28	On request
M5B - *** - * L 0* - ** Y - 0 0 P 28	

**1** End cap kit / Side ports / Anti-starve valve

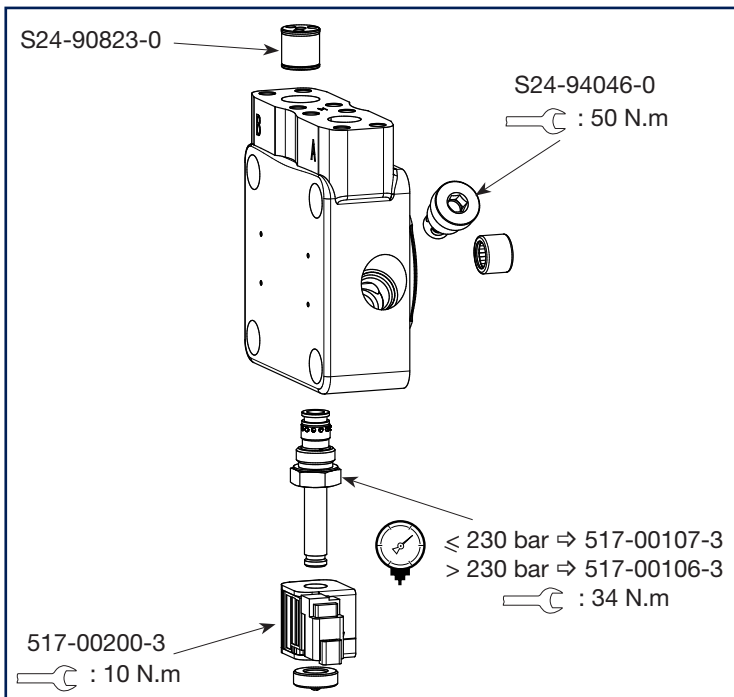
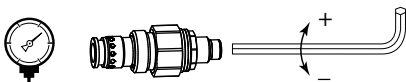


End cap kit	Code N°
M5B - *** - * R 0* - ** M - 0 A 0 0 0	S54-34258-0
M5B - *** - * L 0* - ** M - 0 A 0 0 0	

**1** End cap kit / Side ports / Anti-starve valve / Pressure valves



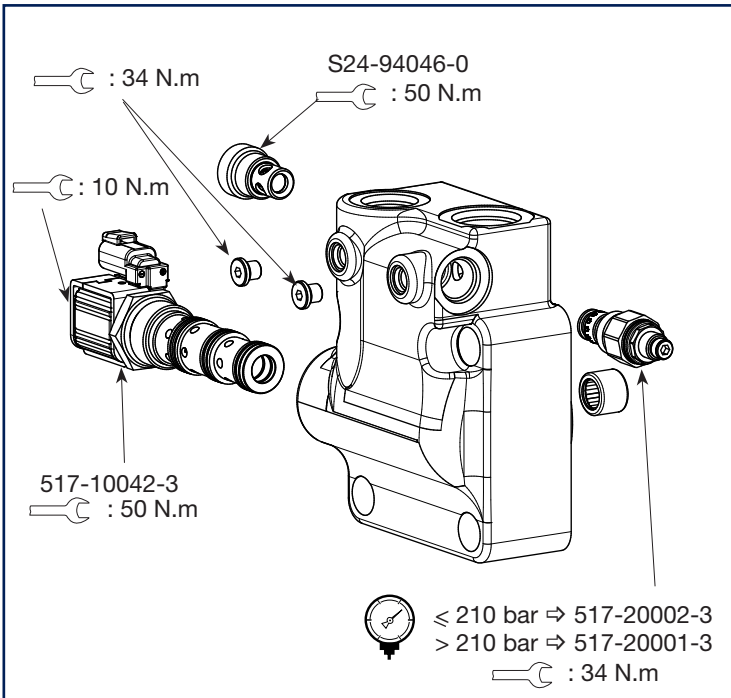
End cap kit	Code N°
M5B - *** - * R 0* - ** M - 0 A M 21	On request
M5B - *** - * L 0* - ** M - 0 A M 21	
M5B - *** - * R 0* - ** M - 0 A M 28	On request
M5B - *** - * L 0* - ** M - 0 A M 28	



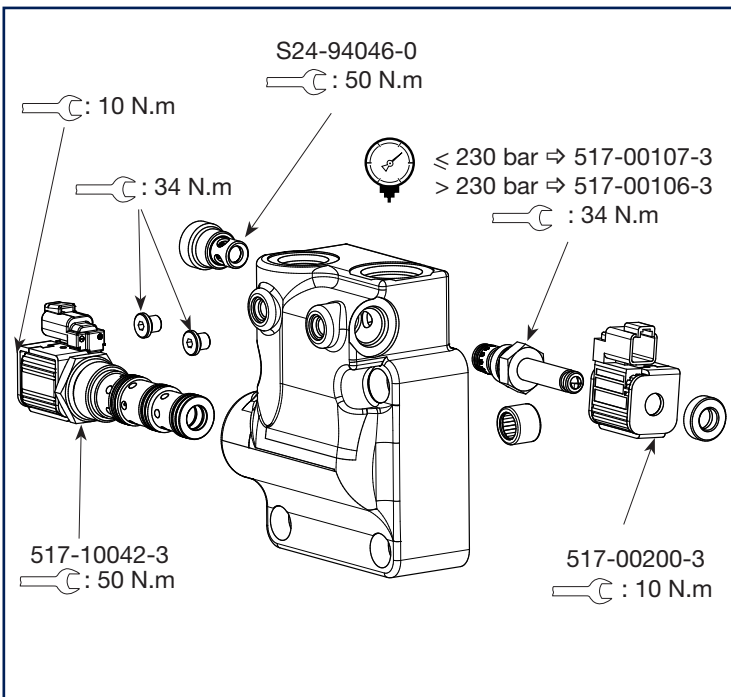
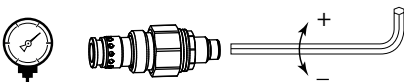
End cap kit	Code N°
M5B - *** - * R 0* - ** M - 0 A P 21	On request
M5B - *** - * L 0* - ** M - 0 A P 21	
M5B - *** - * R 0* - ** M - 0 A P 28	On request
M5B - *** - * L 0* - ** M - 0 A P 28	



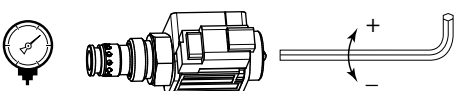
**1** End cap kit / Side ports / Reverse valve



End cap kit	Code N°
M5B - *** - * R 0* - ** Y - 0 R M 21	On request
M5B - *** - * L 0* - ** Y - 0 R M 21	On request
M5B - *** - * R 0* - ** Y - 0 R M 28	S54-49352-0
M5B - *** - * L 0* - ** Y - 0 R M 28	S54-49353-0

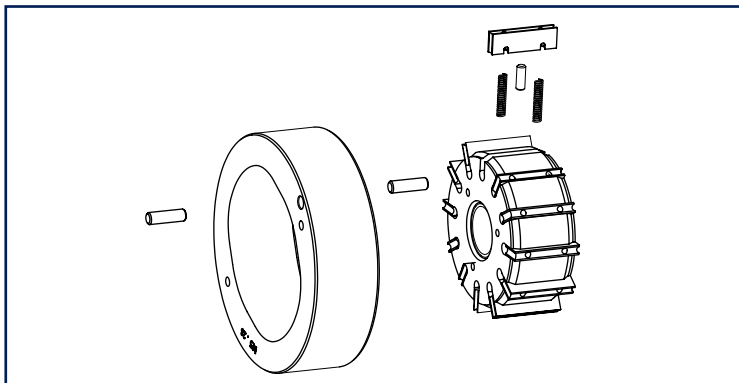


End cap kit	Code N°
M5B - *** - * R 0* - ** Y - 0 R P 21	S54-47408-0
M5B - *** - * L 0* - ** Y - 0 R P 21	On request
M5B - *** - * R 0* - ** Y - 0 R P 28	S54-49033-0
M5B - *** - * L 0* - ** Y - 0 R P 28	S54-49354-0





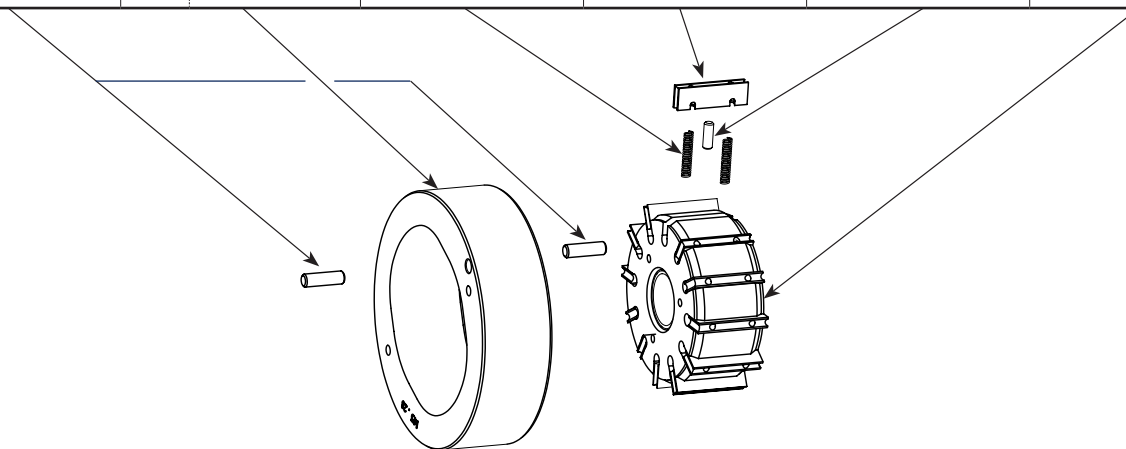
## 2 Cartridge kit (Preferred)



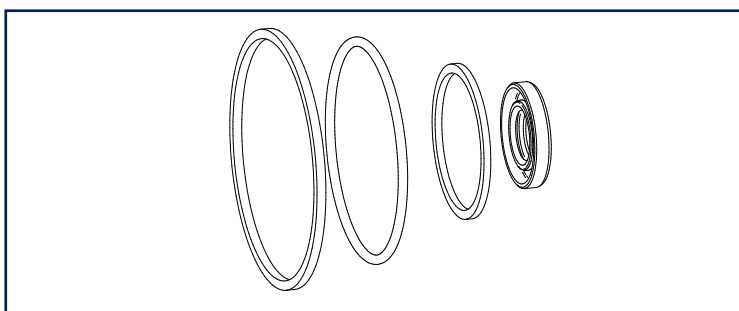
Cartridge kit	Code N°
M5B - 012 - **** - *** - *****	S24-63500-0
M5B - 018 - **** - *** - *****	S24-63501-0
M5B - 023 - **** - *** - *****	S24-76436-0
M5B - 028 - **** - *** - *****	S24-63502-0
M5B - 036 - **** - *** - *****	S24-63503-0
M5B - 045 - **** - *** - *****	S24-63504-0

## Cartridge loose items

2 x	1 x		24 x	12 x	12 x	1 x
324-21210-0	012	034-67093-0	034-67553-0	034-67092-0	034-66991-0	S24-63495-0
	018	034-67094-0				
	023	034-67490-0				
	028	034-67095-0				
	036	034-67096-0				
	045	034-67097-0				

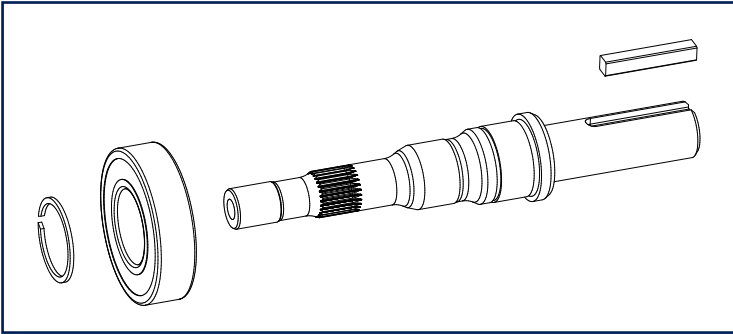


## 3 Seal kit

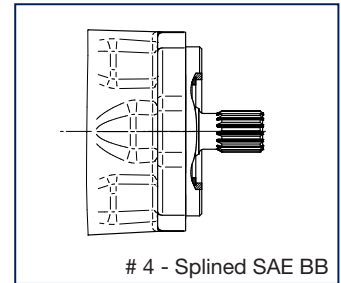
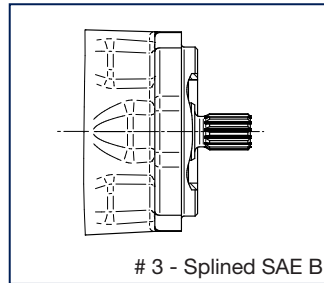
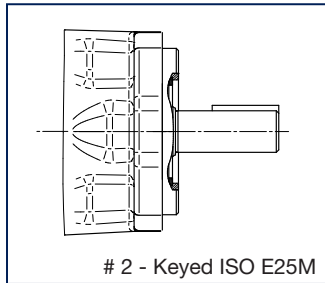
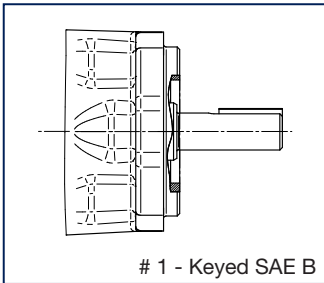


Seal kit	Code N°
M5B - *** - **** - * 1 - *****	S24-94579-0
M5B - *** - **** - * 5 - *****	S24-63498-5

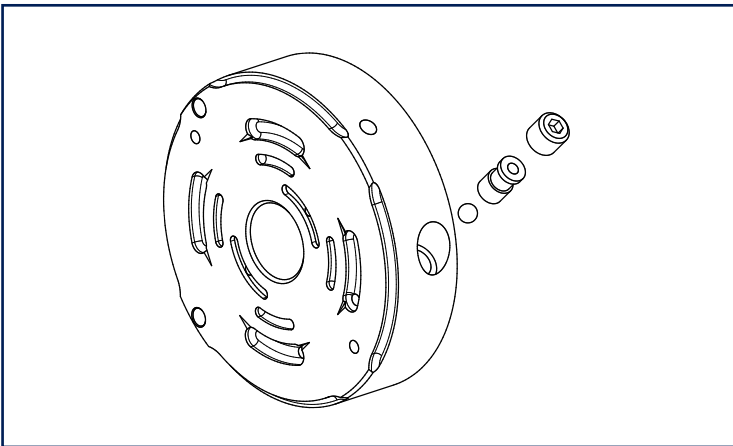
## 4 Shaft kit



Shaft kit	Code N°
M5B - *** - <b>1</b> *** - *** - *****	S24-68881-0
M5B - *** - <b>2</b> *** - *** - *****	S24-68882-0
M5B - *** - <b>3</b> *** - *** - *****	S24-68883-0
M5B - *** - <b>4</b> *** - *** - *****	S24-93453-0



## 5 Port plate kit



Port plate kit	Code N°
M5B - *** - *** - *** - *****	S24-94099-0



## **WARNING – USER RESPONSIBILITY**

**FAILURE OR IMPROPER SELECTION OR IMPROPER USE OF THE PRODUCTS DESCRIBED HEREIN OR RELATED ITEMS CAN CAUSE DEATH, PERSONAL INJURY AND PROPERTY DAMAGE.**

This document and other information from Parker-Hannifin Corporation, its subsidiaries and authorized distributors provide product or system options for further investigation by users having technical expertise.

The user, through its own analysis and testing, is solely responsible for making the final selection of the system and components and assuring that all performance, endurance, maintenance, safety and warning requirements of the application are met. The user must analyze all aspects of the application, follow applicable industry standards, and follow the information concerning the product in the current product catalog and in any other materials provided from Parker or its subsidiaries or authorized distributors.

To the extent that Parker or its subsidiaries or authorized distributors provide component or system options based upon data or specifications provided by the user, the user is responsible for determining that such data and specifications are suitable and sufficient for all applications and reasonably foreseeable uses of the components or systems.

## **Offer of Sale**

Please contact your Parker representation for a detailed "Offer of Sale".

# Parker Worldwide

## Europe, Middle East, Africa

**AE – United Arab Emirates,**  
Dubai

Tel: +971 4 8127100  
parker.me@parker.com

**AT – Austria,** Wiener Neustadt

Tel: +43 (0)2622 23501-0  
parker.austria@parker.com

**AT – Eastern Europe,** Wiener  
Neustadt

Tel: +43 (0)2622 23501 900  
parker.easteurope@parker.com

**AZ – Azerbaijan,** Baku

Tel: +994 50 22 33 458  
parker.azerbaijan@parker.com

**BE/LU – Belgium,** Nivelles

Tel: +32 (0)67 280 900  
parker.belgium@parker.com

**BG – Bulgaria,** Sofia

Tel: +359 2 980 1344  
parker.bulgaria@parker.com

**BY – Belarus,** Minsk

Tel: +48 (0)22 573 24 00  
parker.poland@parker.com

**CH – Switzerland,** Etoy

Tel: +41 (0)21 821 87 00  
parker.switzerland@parker.com

**CZ – Czech Republic,** Klecany

Tel: +420 284 083 111  
parker.czechrepublic@parker.com

**DE – Germany,** Kaarst

Tel: +49 (0)2131 4016 0  
parker.germany@parker.com

**DK – Denmark,** Ballerup

Tel: +45 43 56 04 00  
parker.denmark@parker.com

**ES – Spain,** Madrid

Tel: +34 902 330 001  
parker.spain@parker.com

**FI – Finland,** Vantaa

Tel: +358 (0)20 753 2500  
parker.finland@parker.com

**FR – France,** Contamine s/Arve

Tel: +33 (0)4 50 25 80 25  
parker.france@parker.com

**GR – Greece,** Athens

Tel: +30 210 933 6450  
parker.greece@parker.com

**HU – Hungary,** Budaoers

Tel: +36 23 885 470  
parker.hungary@parker.com

**IE – Ireland,** Dublin

Tel: +353 (0)1 466 6370  
parker.ireland@parker.com

**IT – Italy,** Corsico (MI)

Tel: +39 02 45 19 21  
parker.italy@parker.com

**KZ – Kazakhstan,** Almaty

Tel: +7 7273 561 000  
parker.easteurope@parker.com

**NL – The Netherlands,** Oldenzaal

Tel: +31 (0)541 585 000  
parker.nl@parker.com

**NO – Norway,** Asker

Tel: +47 66 75 34 00  
parker.norway@parker.com

**PL – Poland,** Warsaw

Tel: +48 (0)22 573 24 00  
parker.poland@parker.com

**PT – Portugal**

Tel: +351 22 999 7360  
parker.portugal@parker.com

**RO – Romania,** Bucharest

Tel: +40 21 252 1382  
parker.romania@parker.com

**RU – Russia,** Moscow

Tel: +7 495 645-2156  
parker.russia@parker.com

**SE – Sweden,** Spånga

Tel: +46 (0)8 59 79 50 00  
parker.sweden@parker.com

**SK – Slovakia,** Banská Bystrica

Tel: +421 484 162 252  
parker.slovakia@parker.com

**SL – Slovenia,** Novo Mesto

Tel: +386 7 337 6650  
parker.slovenia@parker.com

**TR – Turkey,** Istanbul

Tel: +90 216 4997081  
parker.turkey@parker.com

**UA – Ukraine,** Kiev

Tel: +48 (0)22 573 24 00  
parker.poland@parker.com

**UK – United Kingdom,** Warwick

Tel: +44 (0)1926 317 878  
parker.uk@parker.com

**ZA – South Africa,** Kempton Park

Tel: +27 (0)11 961 0700  
parker.southafrica@parker.com

## North America

**CA – Canada,** Milton, Ontario

Tel: +1 905 693 3000

**US – USA,** Cleveland

(industrial)  
Tel: +1 216 896 3000

**US – USA,** Elk Grove Village

(mobile)  
Tel: +1 847 258 6200

## Asia Pacific

**AU – Australia,** Castle Hill

Tel: +61 (0)2-9634 7777

**CN – China,** Shanghai

Tel: +86 21 2899 5000

**HK – Hong Kong**

Tel: +852 2428 8008

**ID – Indonesia,** Tangerang

Tel: +62 21 7588 1906

**IN – India,** Mumbai

Tel: +91 22 6513 7081-85

**JP – Japan,** Fujisawa

Tel: +81 (0)4 6635 3050

**KR – South Korea,** Seoul

Tel: +82 2 559 0400

**MY – Malaysia,** Shah Alam

Tel: +60 3 7849 0800

**NZ – New Zealand,** Mt Wellington

Tel: +64 9 574 1744

**SG – Singapore**

Tel: +65 6887 6300

**TH – Thailand,** Bangkok

Tel: +662 186 7000

**TW – Taiwan,** New Taipei City

Tel: +886 2 2298 8987

**VN – Vietnam,** Ho Chi Minh City

Tel: +84 8 3999 1600

## South America

**AR – Argentina,** Buenos Aires

Tel: +54 3327 44 4129

**BR – Brazil,** Cachoeirinha RS

Tel: +55 51 3470 9144

**CL – Chile,** Santiago

Tel: +56 2 623 1216

**MX – Mexico,** Toluca

Tel: +52 72 2275 4200

### EMEA Product Information Centre

Free phone: 00 800 27 27 5374

(from AT, BE, CH, CZ, DE, DK, EE, ES, FI, FR, IE, IL,  
IS, IT, LU, MT, NL, NO, PL, PT, RU, SE, SK, UK, ZA)

### US Product Information Centre

Toll-free number: 1-800-27 27 537

www.parker.com

