



DTA
Damen Technical Agencies



Industrial Hydraulic Pumps T67DC, T67DCW

Denison Vane Technology, fixed displacement

Hydraulic Pumps

- Hydraulic Motors
- Hydraulic Valves
- Hydraulic Cylinders
- Hydraulic Filtration
- Hydraulic Accumulators



ENGINEERING YOUR SUCCESS.

We are doing our parts to keep you moving!

DTA your 1 Stop Shop for Hydraulics, Pneumatics and Power Transmissions.

DECLARATION OF CONFORMITY

DTA Hydraulics is a tradename of Damen Technical Agencies BV, supplying hydraulic parts to various industries since 1990. As a Certified Distributor Hydraulics by Parker Hannifin and Authorized Denison Vane Pump Assembler, we guarantee the use of original parts and components. As such we provide you with vane pumps of the same level of quality and warranty conditions as the factory does.

We highly recommend to **use genuine Denison Hydraulics spare parts only** in order to ensure smooth operation and longer service life. Spare parts that we have on stock include pump cartridge kits, shaft and bearing assemblies, seal kits and non-wearing parts of both the T6 and T7 series vane pumps.



**ALL VANE PUMPS SUPPLIED OR REPAIRED BY
DTA HYDRAULICS HAVE BEEN ASSEMBLED ACCORDING
TO THE LATEST FACTORY SPECIFICATIONS WITH
BRAND NEW AND GENUINE DENISON HYDRAULICS PARTS**

We are able to provide you a large variety of options of the original Parker Denison single, double, and triple vane pumps. We can build any customized vane pump from our stock of genuine parts. You can now easily configure that vane pump yourself with the Denison Hydraulics Vane Pump Configurator.

vanepump.eu/vanepumps

Use advanced search to filter results based on configurable options and select any of the 25,000 vane pumps that are listed in our online catalogue. Most of the models are available from stock and ready for shipment to any place in the world instantly. We can supply **Any part, Anytime, Anywhere!**



Model No. T67DC W - B42 - 010 - 1 R 00 - A 1 M1 - ..

Series - SAE C 2 bolts
 J744 mounting flange

Severe duty shaft option

Displacement P1

Volumetric displacement (ml/rev.)

- B14 = 44,0 B31 = 99,2
- B17 = 55,0 B35 = 113,4
- B20 = 66,0 B38 = 120,6
- B22 = 70,3 B42 = 137,5
- B24 = 81,1 045 = 145,7
- B28 = 90,0 050 = 158,0

Displacement P2

Volumetric displacement (ml/rev.)

- 003 = 10,8 017 = 58,3
- 005 = 17,2 020 = 63,8
- 006 = 21,3 022 = 70,3
- 008 = 26,4 025 = 79,3
- 010 = 34,1 028 = 88,8
- 012 = 37,1 031 = 100,0
- 014 = 46,0

Type of shaft

- 1 = keyed (SAE C) 3 = splined (SAE C) 14 teeth
- 2 = keyed (non SAE) 4 = splined (spec. SAE C)

Type of shaft - Severe duty (T67DCW only)

- 5 = keyed (non SAE)

Modifications

Mounting w/connection variables

4 bolts SAE flanges J518

	Metric thread		UNC thread	
	M0	M1	00	01
P1	1.1/4"	1.1/4"	1.1/4"	1.1/4"
P2	1"	3/4"	1"	3/4"
S	3"	3"	3"	3"

Seal class

- 1 = S1 BUNA N - 0,7 bar max. (for mineral oil)
- 4 = S4 EPDM - 7 bar max. (for fire resistant fluids)
- 5 = S5 VITON® - 7 bar max. (for mineral oil and fire resistant fluids)

Design letter

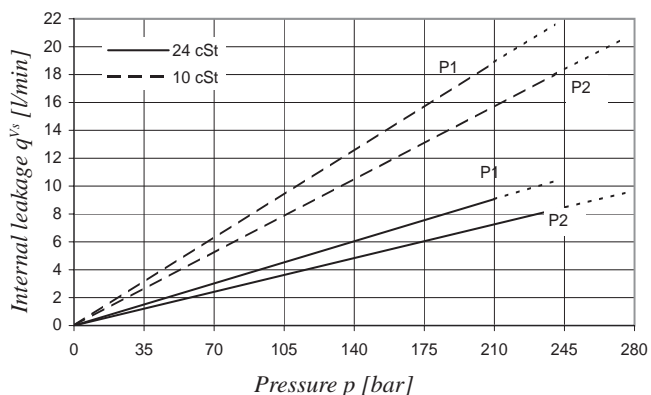
Porting combination (see page 72)

00 = standard

Direction of rotation (shaft end view)

- R = Clockwise
- L = Counter-clockwise

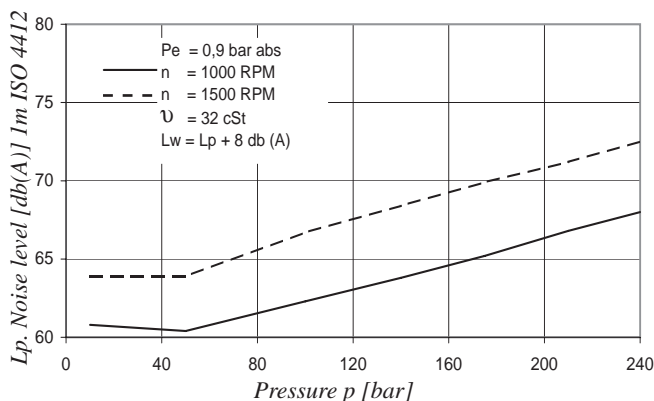
INTERNAL LEAKAGE (TYPICAL)



Do not operate pump more than 5 seconds at any speed or viscosity if internal leakage is higher than 50% of theoretical flow.

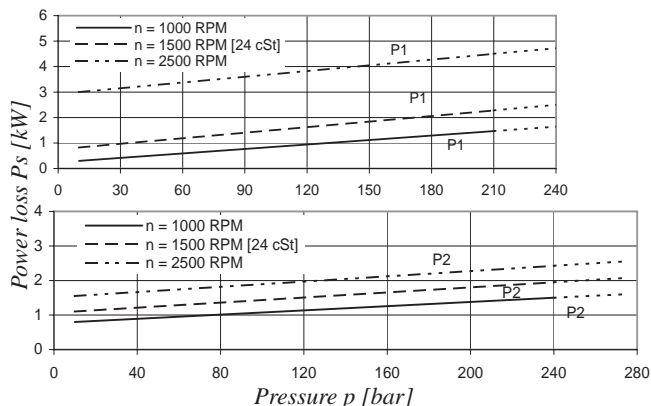
Total leakage is the sum of each section loss under its respective operating conditions.

NOISE LEVEL (TYPICAL) - T67DC - B31 - 022



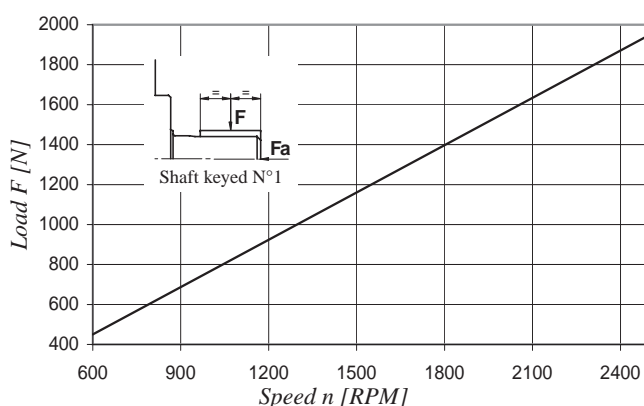
Double pump noise level is given with both stages section discharging at the pressure value indicated on the curve.

POWER LOSS HYDROMECHANICAL (TYPICAL)



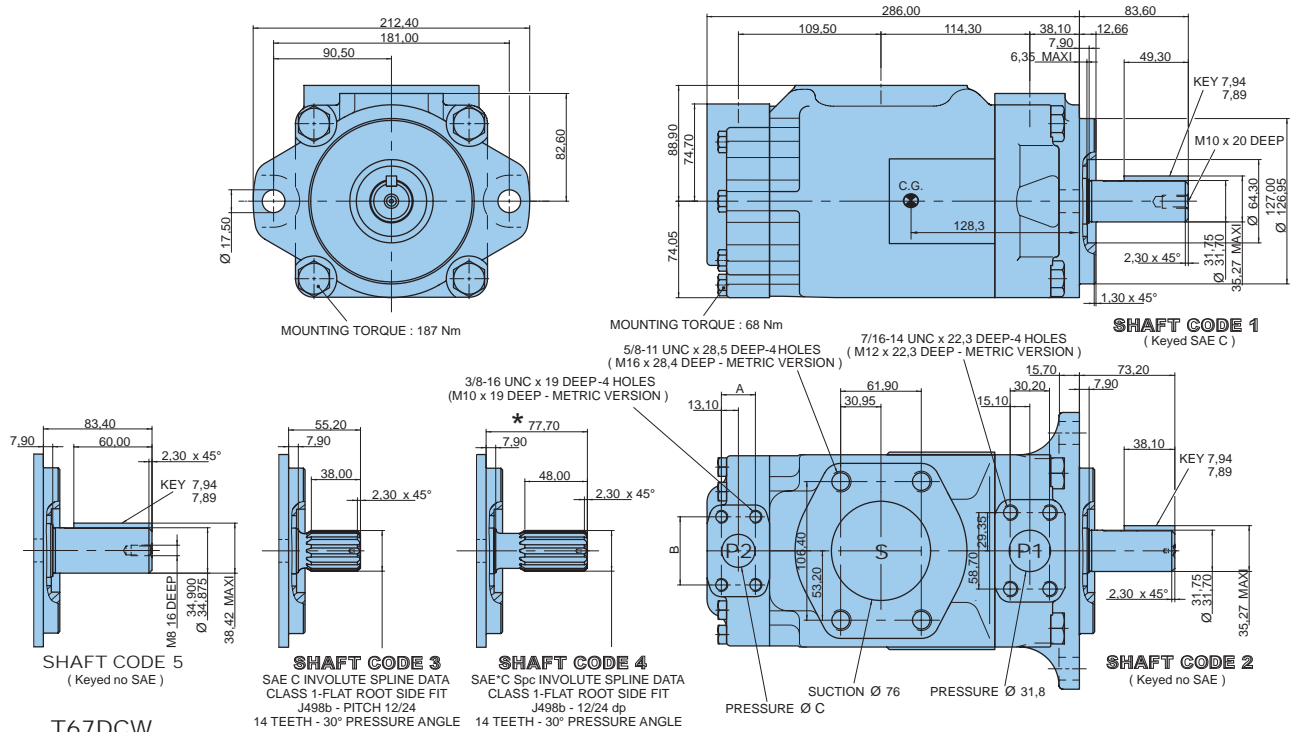
Total hydromechanical power loss is the sum of each section loss under its respective operating conditions.

PERMISSIBLE RADIAL LOAD



Maximum permissible axial load Fa = 1200 N





Alternate connect. variables		
	00 & M0	01 & M1
A	26.20	22.20
B	52.35	47.60
C	25.00	19.00

Shaft torque limits [ml/rev. x bar]			
Shaft	Vi x p max.	Shaft	Vi x p max.
1	43240	4	61200
2	34590	5	55600
3	61200		

OPERATING CHARACTERISTICS - TYPICAL [24 cSt]

Pressure port	Series	Vi Volumetric displacement	Flow q_v [l/min] & n = 1500 RPM			Input power P [kW] & n = 1500 RPM			
			p = 0 bar	p = 140 bar	p = 250 bar	p = 7 bar	p = 140 bar	p = 250 bar	
P1	B14	44,0 ml/rev	66,0	59,4	54,2	1,5	16,6	29,0	
	B17	55,0 ml/rev	82,5	75,9	70,7	1,7	20,4	35,8	
	B20	66,0 ml/rev	99,0	92,4	87,2	1,9	24,3	42,7	
	B22	70,3 ml/rev	105,5	98,8	93,7	2,0	25,8	45,4	
	B24	81,1 ml/rev	121,7	115,0	109,9	2,2	29,5	52,1	
	B28	90,0 ml/rev	135,0	128,4	123,2	2,3	32,7	57,7	
	B31	99,2 ml/rev	148,8	142,2	137,0	2,5	35,9	63,5	
	B35	113,4 ml/rev	170,1	163,5	158,3	2,7	40,8	72,3	
	B38	120,6 ml/rev	180,9	174,3	169,1	2,9	43,4	76,8	
	B42	137,5 ml/rev	206,3	199,6	194,5	3,2	49,3	87,4	
	045	145,7 ml/rev	218,6	209,2	202,6 ²⁾	4,1	52,8	89,5 ²⁾	
	050	158,0 ml/rev	237,0	227,7	223,0 ¹⁾	4,4	57,1	85,0 ¹⁾	
P2			p = 0 bar	p = 140 bar	p = 275 bar	p = 7 bar	p = 140 bar	p = 275 bar	
		003	10,8 ml/rev	16,2	11,2	*	1,3	5,3	*
		005	17,2 ml/rev	25,8	20,8	16,1	1,4	7,5	13,9
		006	21,3 ml/rev	31,9	26,9	22,2	1,5	8,9	16,8
		008	26,4 ml/rev	39,6	34,6	29,9	1,6	10,7	20,3
		010	34,1 ml/rev	51,1	46,1	41,4	1,7	13,4	25,6
		012	37,1 ml/rev	55,6	50,6	45,9	1,7	14,4	27,6
		014	46,0 ml/rev	69,0	64,0	59,3	1,9	17,6	33,7
		017	58,3 ml/rev	87,4	82,4	77,7	2,1	21,9	42,2
		020	63,8 ml/rev	95,7	90,7	86,0	2,2	23,8	46,0
		022	70,3 ml/rev	105,4	100,4	95,7	2,3	26,1	50,4
		025	79,3 ml/rev	118,9	113,9	109,2	2,5	29,2	56,6
		028	88,8 ml/rev	133,2	128,2	125,8 ¹⁾	2,8	32,7	63,5 ¹⁾
		031	100,0 ml/rev	150,0	145,0	142,6 ¹⁾	2,8	36,5	72,3 ¹⁾

* We do not recommend to use the size 003 in P2 at 275 bar & 1500 RPM as the internal leakage is over 50% of theoretical flow.

¹⁾ 050 - 028 - 031 = 210 bar max. int. ²⁾ 045 = 240 bar max. int.



DTA

Damen Technical Agencies

OVER 25 YEARS

we are doing our parts to keep you moving!

DTA your ONE Stop Shop

for Hydraulics, Pneumatics and Power Transmissions

Damen Technical Agencies B.V.

Prins Willemstraat 10 - 4791 JR Klundert - The Netherlands

+31 - 168 - 407 144

info@vanepump.eu - vanepump.eu - dta.eu



DTA

Damen Technical Agencies