



DTA

Damen Technical Agencies



Industrial Hydraulic Pumps T6DDS

Denison Vane Technology, fixed displacement

Hydraulic Pumps

- Hydraulic Motors
- Hydraulic Valves
- Hydraulic Cylinders
- Hydraulic Filtration
- Hydraulic Accumulators



ENGINEERING YOUR SUCCESS.

We are doing our parts to keep you moving!

DTA your 1 Stop Shop for Hydraulics, Pneumatics and Power Transmissions.

DECLARATION OF CONFORMITY

DTA Hydraulics is a tradename of Damen Technical Agencies BV, supplying hydraulic parts to various industries since 1990. As a Certified Distributor Hydraulics by Parker Hannifin and Authorized Denison Vane Pump Assembler, we guarantee the use of original parts and components. As such we provide you with vane pumps of the same level of quality and warranty conditions as the factory does.

We highly recommend to **use genuine Denison Hydraulics spare parts only** in order to ensure smooth operation and longer service life. Spare parts that we have on stock include pump cartridge kits, shaft and bearing assemblies, seal kits and non-wearing parts of both the T6 and T7 series vane pumps.



**ALL VANE PUMPS SUPPLIED OR REPAIRED BY
DTA HYDRAULICS HAVE BEEN ASSEMBLED ACCORDING
TO THE LATEST FACTORY SPECIFICATIONS WITH
BRAND NEW AND GENUINE DENISON HYDRAULICS PARTS**

We are able to provide you a large variety of options of the original Parker Denison single, double, and triple vane pumps. We can build any customized vane pump from our stock of genuine parts. You can now easily configure that vane pump yourself with the Denison Hydraulics Vane Pump Configurator.

vanepump.eu/vanepumps

Use advanced search to filter results based on configurable options and select any of the 25,000 vane pumps that are listed in our online catalogue. Most of the models are available from stock and ready for shipment to any place in the world instantly. We can supply **Any part, Anytime, Anywhere!**



Model No.

T6DDS - 038 - 028 - 1 R 00 - A 1 - 00 - ..

Series - SAE C 6 bolts
Mounting flange J744c

Displacement P1 and P2
Volumetric displacement (ml/rev.)

- 014 = 47,6
- 017 = 58,2
- 020 = 66,0
- 024 = 79,5
- 028 = 89,7
- 031 = 98,3
- 035 = 111,0
- 038 = 120,3
- 042 = 136,0
- 045 = 145,7
- 050 = 158,0

Type of shaft

- 1 = keyed (SAE C)
- 2 = keyed (SAE CC)
- 3 = splined (SAE C)
- 4 = splined (SAE BB)
- 5 = keyed (non SAE)

Modifications

Mounting w/connection variables
4 bolts SAE flange J518c

P1 & P2 = 1"1/4 - S = 4"		
Type	UNC	Metric
Code	00	M0

Seal class

- 1 = S1 (for mineral oil)
- 4 = S4 (for the resistant fluid)
- 5 = S5 (for mineral oil and fire resistant fluids)

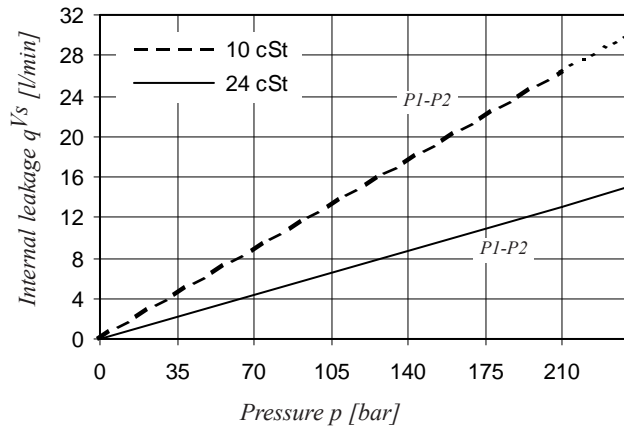
Design letter

Porting combination
00 = standard

Direction of rotation (view on shaft end)

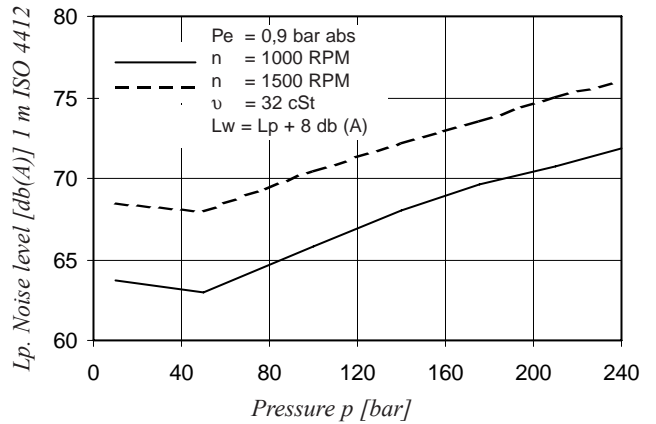
- R = Clockwise
- L = Counter-clockwise

INTERNAL LEAKAGE (TYPICAL)



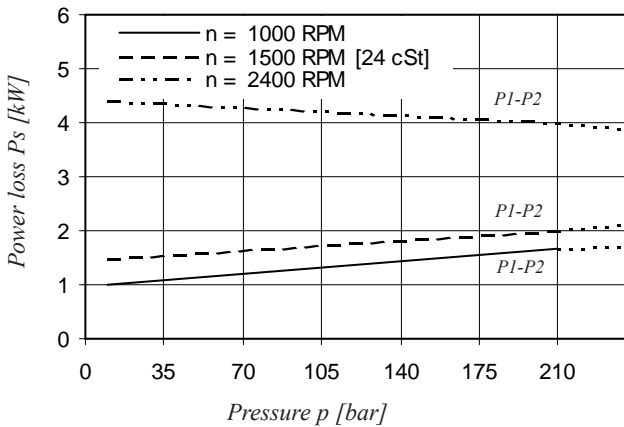
Do not operate pump more than 5 seconds at any speed or viscosity if internal leakage is higher than 50% of theoretical flow. Total leakage is the sum of each section loss at its operating conditions.

NOISE LEVEL (TYPICAL)
T6DDS 038 - 038



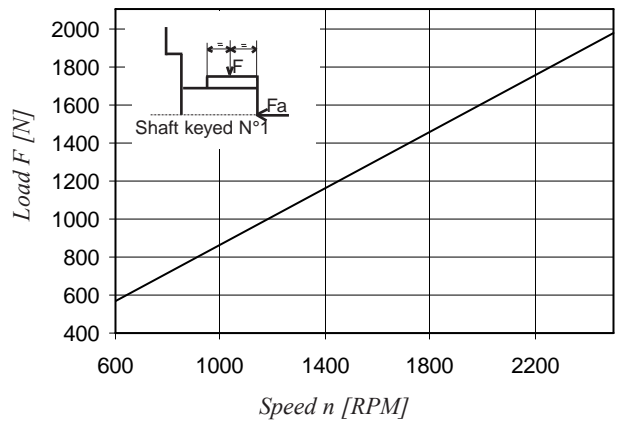
Double pump noise level is given with each section discharging at the pressure noted on the curve.

POWER LOSS HYDROMECHANICAL (TYPICAL)

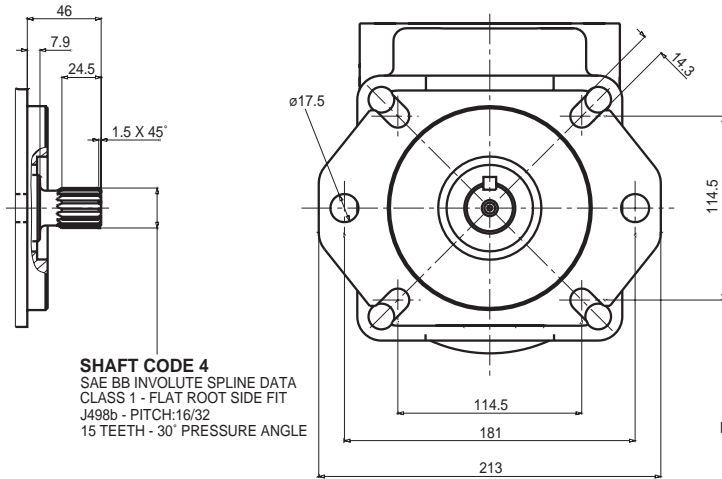


Total hydromechanical power loss is the sum of each section at its operating conditions.

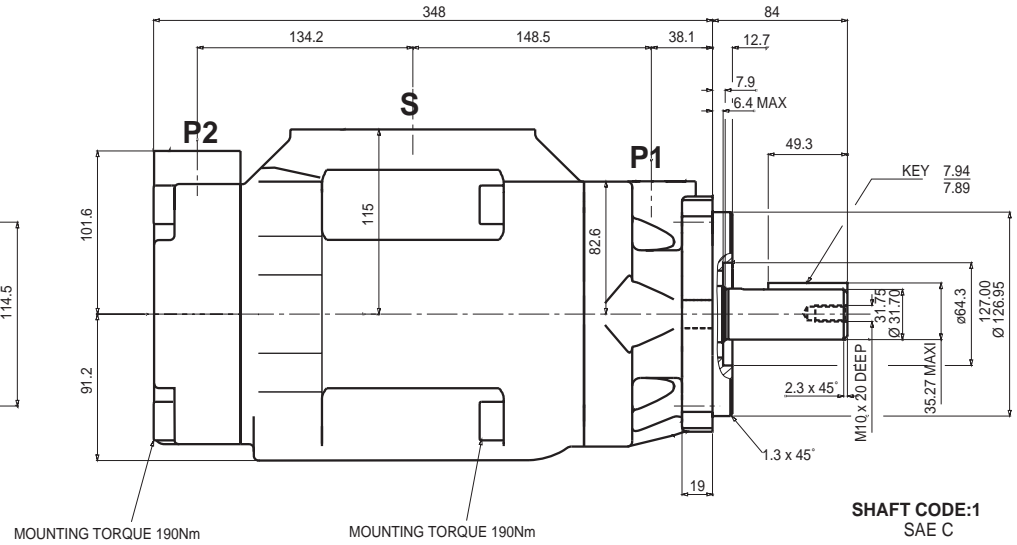
PERMISSIBLE RADIAL LOAD



Maximum permissible axial load $F_a = 1200\text{ N}$



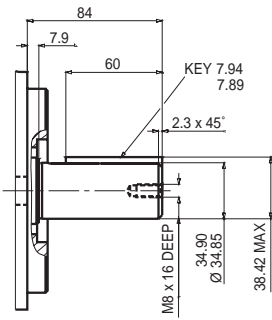
SHAFT CODE 4
SAE BB INVOLUTE SPLINE DATA
CLASS 1 - FLAT ROOT SIDE FIT
J498b - PITCH:16/32
15 TEETH - 30° PRESSURE ANGLE



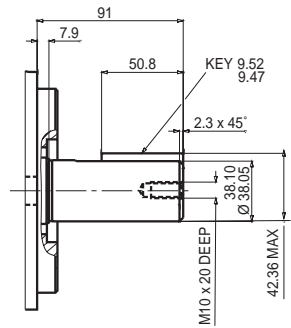
MOUNTING TORQUE 190Nm

MOUNTING TORQUE 190Nm

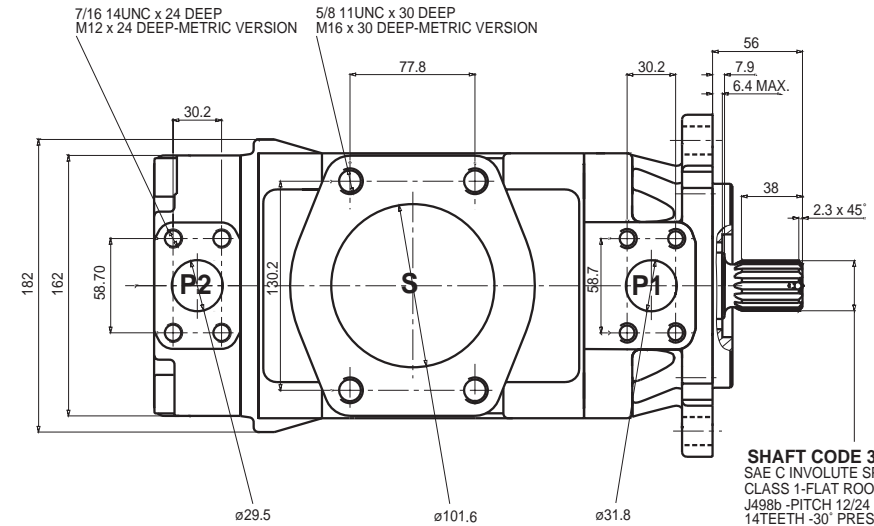
SHAFT CODE:1
SAE C



SHAFT CODE 5
(NO SAE)



SHAFT CODE 2
SAE CC



SHAFT CODE 3
SAE C INVOLUTE SPLINE DATA
CLASS 1-FLAT ROOT SIDE FIT
J498b -PITCH 12/24
14TEETH -30° PRESSURE ANGLE

Shaft torque limits [ml/rev x bar]	
Shaft	Vi x p max.
1	43240
3	61200
4	35880
5	55600



**ANY PART
TIME
WHERE**

we are doing our parts to keep you moving!

Damen Technical Agencies B.V.

Prins Willemstraat 10 - 4791 JR Klundert - The Netherlands

+31 - 168 - 407 144

info@vanepump.eu - vanepump.eu - dta.eu