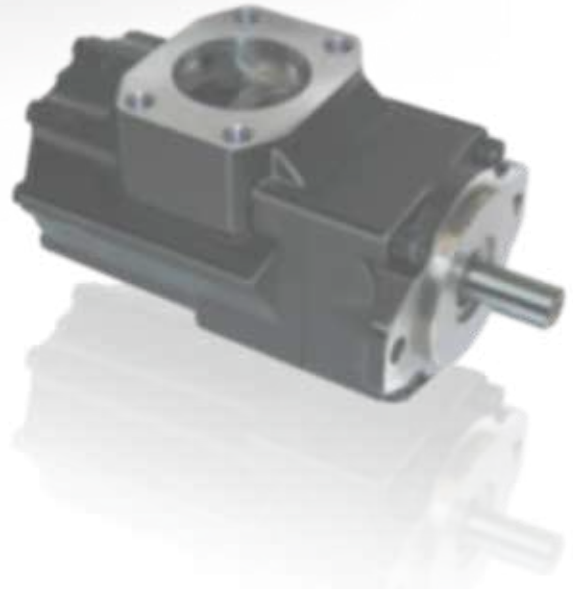




**DTA**  
Damen Technical Agencies



# Industrial Hydraulic Pumps T6DDCS

Denison Vane Technology, fixed displacement

## Hydraulic Pumps

- Hydraulic Motors
- Hydraulic Valves
- Hydraulic Cylinders
- Hydraulic Filtration
- Hydraulic Accumulators



ENGINEERING YOUR SUCCESS.

**We are doing our parts to keep you moving!**

DTA your 1 Stop Shop for Hydraulics, Pneumatics and Power Transmissions.

# DECLARATION OF CONFORMITY

DTA Hydraulics is a tradename of Damen Technical Agencies BV, supplying hydraulic parts to various industries since 1990. As a Certified Distributor Hydraulics by Parker Hannifin and Authorized Denison Vane Pump Assembler, we guarantee the use of original parts and components. As such we provide you with vane pumps of the same level of quality and warranty conditions as the factory does.

We highly recommend to **use genuine Denison Hydraulics spare parts only** in order to ensure smooth operation and longer service life. Spare parts that we have on stock include pump cartridge kits, shaft and bearing assemblies, seal kits and non-wearing parts of both the T6 and T7 series vane pumps.



**ALL VANE PUMPS SUPPLIED OR REPAIRED BY  
DTA HYDRAULICS HAVE BEEN ASSEMBLED ACCORDING  
TO THE LATEST FACTORY SPECIFICATIONS WITH  
BRAND NEW AND GENUINE DENISON HYDRAULICS PARTS**

We are able to provide you a large variety of options of the original Parker Denison single, double, and triple vane pumps. We can build any customized vane pump from our stock of genuine parts. You can now easily configure that vane pump yourself with the Denison Hydraulics Vane Pump Configurator.

[vanepump.eu/vanepumps](http://vanepump.eu/vanepumps)

Use advanced search to filter results based on configurable options and select any of the 25,000 vane pumps that are listed in our online catalogue. Most of the models are available from stock and ready for shipment to any place in the world instantly. We can supply **Any part, Anytime, Anywhere!**



## ORDERING CODE - T6DDCS SERIES

**Model No.** **T6DDCS - 038 - 028 - 008 - 1 R 00 - A 1 00 - ..**

**Series** - SAE C 6 bolts  
Mounting flange J744c SAE C

**Displacement P1 and P2**  
Volumetric displacement (ml/rev.)  
014 = 47,6      035 = 111,0  
017 = 58,2      038 = 120,3  
020 = 66,0      042 = 136,0  
024 = 79,5      045 = 145,7  
028 = 89,7      050 = 158,0  
031 = 98,3

**Displacement P3**  
Volumetric displacement (ml/rev.)  
003 = 10,8      017 = 58,3  
005 = 17,2      020 = 63,8  
006 = 21,3      022 = 70,3  
008 = 26,4      025 = 79,3  
010 = 34,1      028 = 88,8  
012 = 37,1      031 = 100,0  
014 = 46,0

**Type of shaft**  
1 = keyed (SAE C)      4 = splined (SAE CC)  
2 = keyed (SAE CC)      5 = keyed (non SAE)  
3 = splined (SAE C)

**Modifications**

**Mounting w/connection variables**  
4 bolts SAE flange J518c

Type	P1 & P2 = 1"1/4 - S = 4"			
	UNC		Metric	
P3	1"	3/4"	1"	3/4"
Code	00	01	M0	M1

**Seal class**

1 = S1 (for mineral oil)  
4 = S4 (for the resistant fluid)  
5 = S5 (for mineral oil and fire resistant fluids)

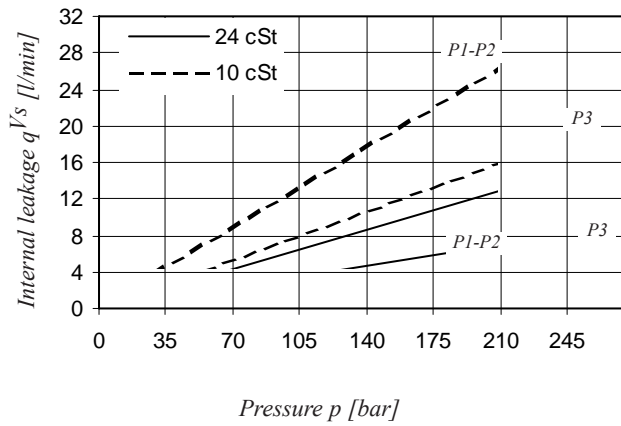
**Design letter**

**Porting combination**  
00 = standard

**Direction of rotation (view on shaft end)**

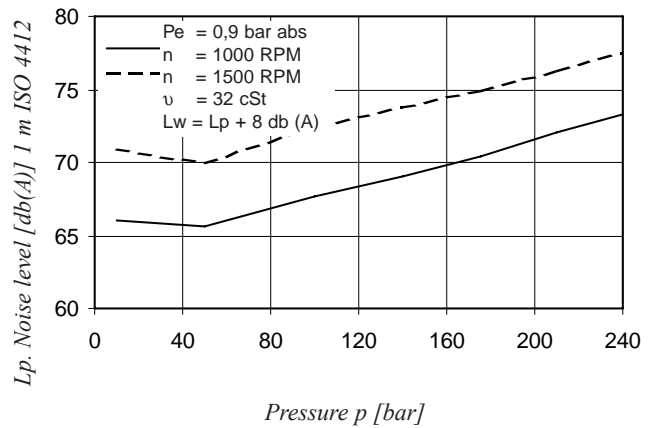
R = Clockwise  
L = Counter-clockwise

### INTERNAL LEAKAGE (TYPICAL)



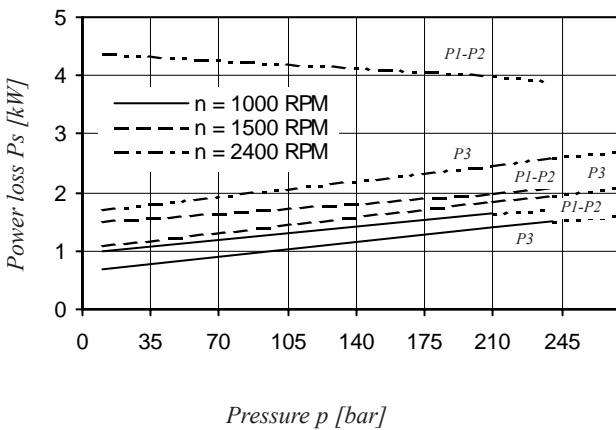
Do not operate pump more than 5 seconds at any speed or viscosity if internal leakage is higher than 50% of theoretical flow. Total leakage is the sum of each section loss at its operating conditions.

### NOISE LEVEL (TYPICAL) T6DDCS 038 - 038 - 022



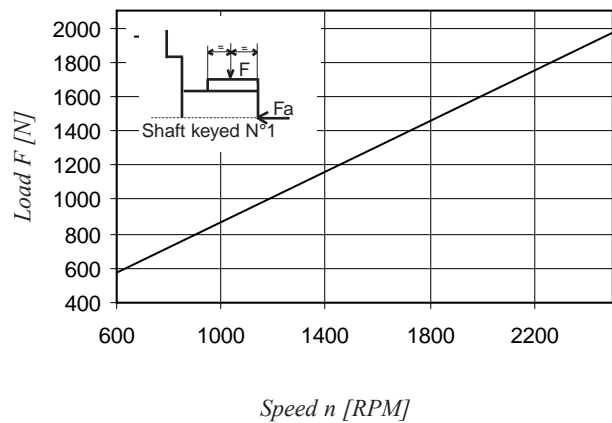
Double pump noise level is given with each section discharging at the pressure noted on the curve.

### POWER LOSS HYDROMECHANICAL (TYPICAL)

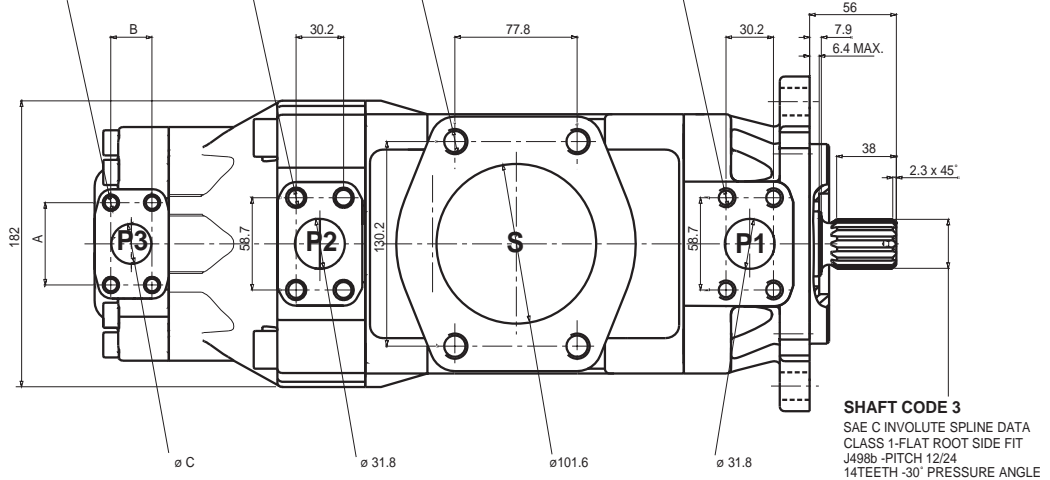
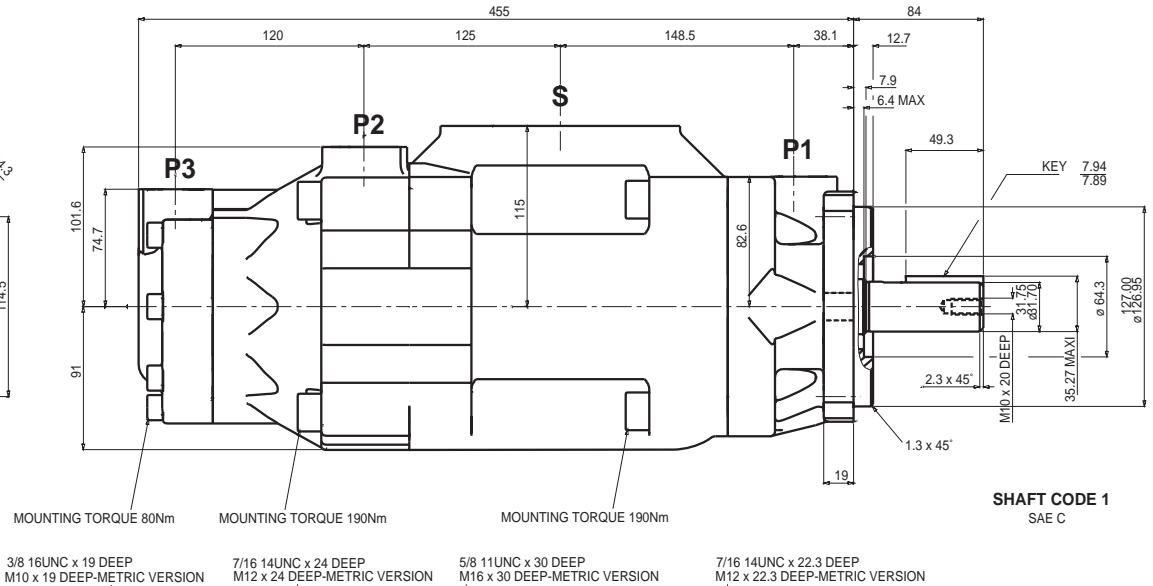
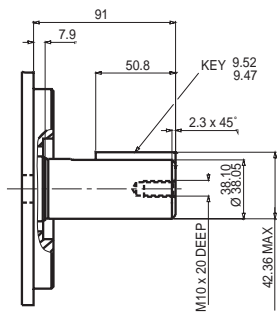
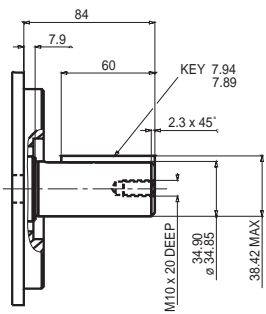
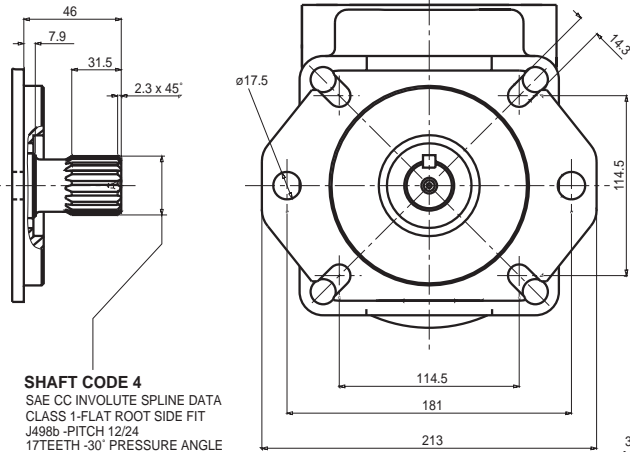


Total hydromechanical power loss is the sum of each section at its operating conditions.

### PERMISSIBLE RADIAL LOAD



Maximum permissible axial load  $F_a = 1200\text{ N}$



Shaft torque limits [ml/rev x bar]	
Shaft	Vi x p max.
1	43240
2	72306
3	61200
5	55600

Alternate port				
Port	Code	A	B	C
P3	00 - M0	52,4	26,2	25,4
	01 - M1	47,6	22,2	19,0



**ANY PART  
TIME  
WHERE**

we are doing our parts to keep you moving!

**Damen Technical Agencies B.V.**

Prins Willemstraat 10 - 4791 JR Klundert - The Netherlands

+31 - 168 - 407 144

info@vanepump.eu - vanepump.eu - dta.eu